



SINCE 1962

**Cooling Tower**

**LDC-N**

**SQUARE COUNTER FLOW COOLING TOWER**

良機





LDC-450\*8



LDC-250-C4



LDC-N-500C2\*2

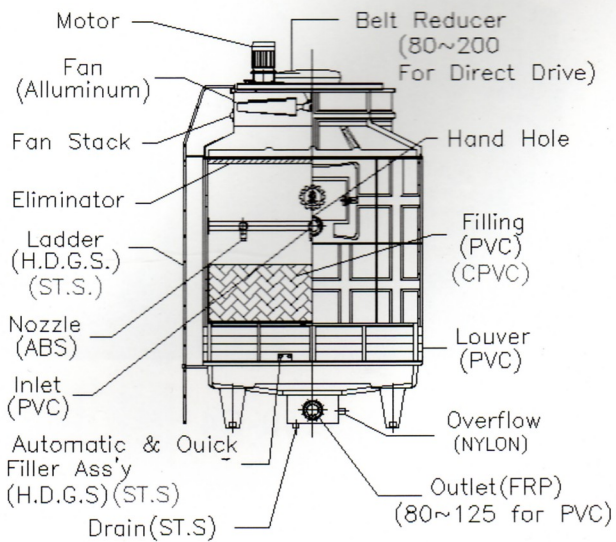


LDC-N-450S\*2

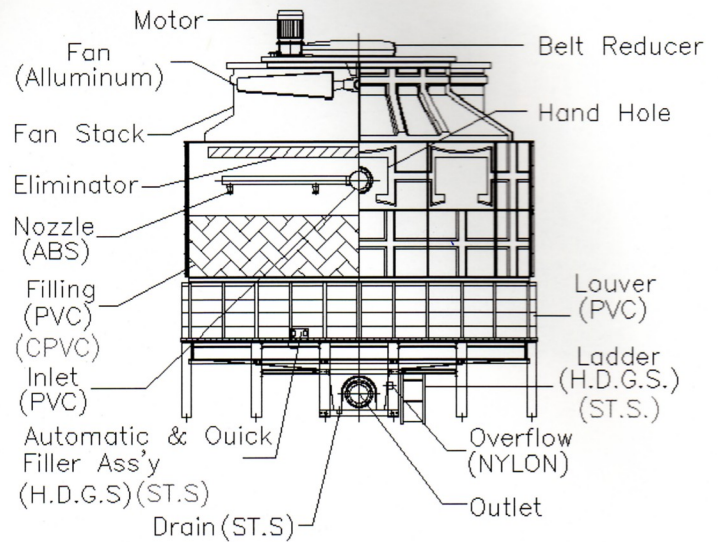


# LDC-N SQUARE COUNTER FLOW TYPE COOLING TOWER

## Outlines and Materials



**LDC-N-80~500**



**LDC-N-600~1000**

### Structure & Features

**Tower Casing :** 1. The tower casing is made of FRP featuring anti-corrosiveness, ultraviolet resistance and weatherproofing.

2. The inspection hand hole on the tower body is convenient for checking the distribution condition.

**Speed Reducer :** The belt reducer features easy maintenance, easy adjustment, heavy duty and good life span.

**Water Distribution :** The spray nozzle arrangement evens water distribution and optimizes the efficiency.

**Water Basin :** 1. The water basin is made of FRP structure featuring anti-corrosiveness, ultraviolet resistance and weatherproofing.

2. The basin partitions between cells for multi-cell tower equalize the water level and can separate the water when maintaining some cells of tower so that the rest of cells can operate without shutting down the whole tower.

**Steel Parts :** 1. All steel parts are made of HDGS or stainless steel material.

2. All bolts & nuts are either Zinc electroplated or hot-dip galvanized or made of stainless steel materials.

**Inlet Louver :** 1. The arch shape inlet louvers are made of PVC material featuring easy dismantling, ultraviolet resistance and weatherproofing.

2. The arch shape inlet louvers can block the direct sunshine to reduce the growth of moss effectively.

**Eliminators :** The eliminators is made of PVC material featuring low air resistance and low drift loss of 0.05% of design circulation water.

**Silencer :** The silencing mat above the water level is installed for reducing the noise of water droplets.

**Filling :** The honeycomb shaped filling is made of PVC material features easy dismantling, easy assembly and anti-deformation.

**Ladder :** 1. The ladder reaches the air outlet so that it is convenient to maintain the motor and reducer.

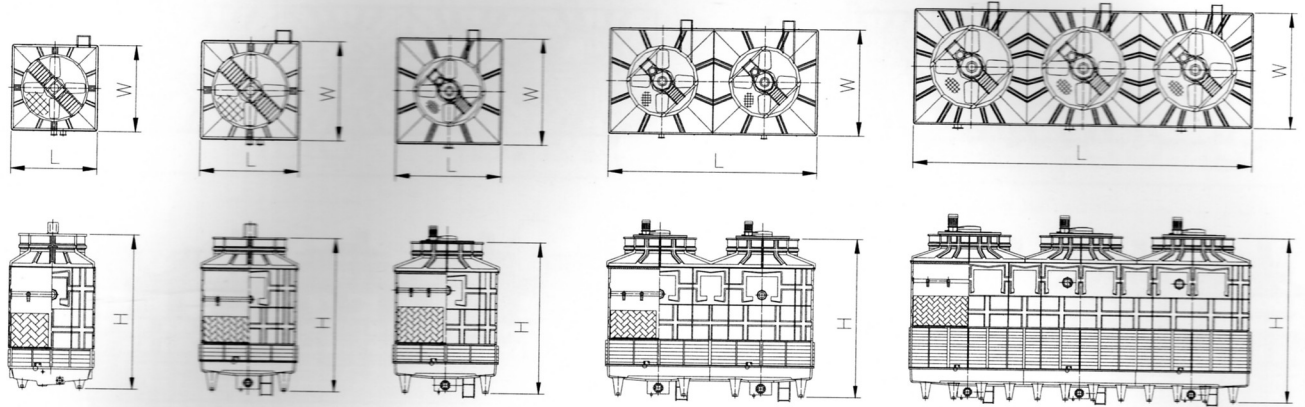
2. Each cell of multi-cell of cooling tower has a set of ladder.

**Remarks :** 1. The outlines above show the tower structures, part names and materials. The black characters in the parentheses stand for standard materials and red ones standard for optional materials that are also available but should be specified.

2. The followings are the optional accessories that are also available but should be specified.

- (1) Safety Caged Ladder (2) Safety Handrail (3) Channel Base (4) Vibration Isolator
- (5) Automatic Dosing System (6) Sand Filter

# LDC-N-80~500-C5 DIMENSIONS AND SPECIFICATIONS



80~125

Single Cell

150~200

Single Cell

225~500

Single Cell

225~500-C2

Two Cells

300~500-C3

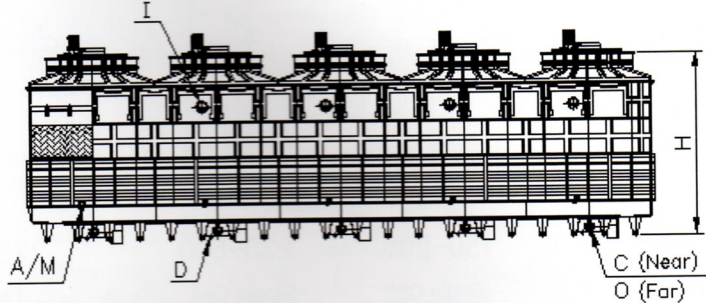
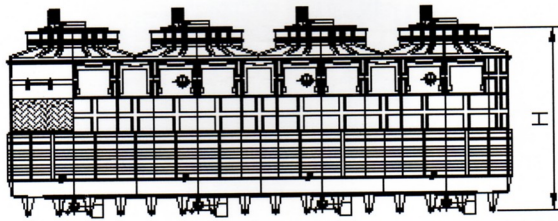
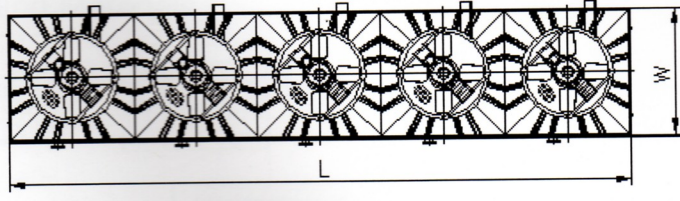
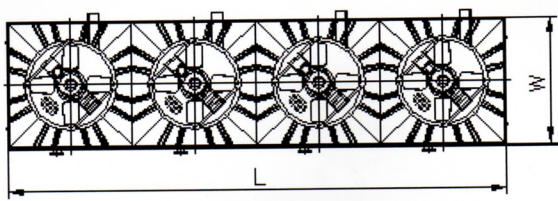
Three Cells

Item Model	Water Flow Rate L/min	Dimensions			Transmission		
		Width (W) m/m	Length (L) m/m	Height (H) m/m	Motor HP	Fan Diameter D φ /mm	Air Flow M <sup>3</sup> /MIN/CELL
		LDC-N-80	1040	2100	2100	3950	2x1
LDC-N-100	1300	2100	2100	3950	3x1	1470	800
LDC-N-125	1625	2300	2100	3950	3x1	1470	900
LDC-N-150	1950	2600	2600	4230	5x1	1750	1250
LDC-N-175	2275	2600	2600	4230	5x1	1750	1250
LDC-N-200	2600	2900	2900	4330	5x1	1750	1350
LDC-N-225	2925	2900	2900	4530	7.5x1	2360	1750
LDC-N-250	3250	2900	2900	4530	7.5x1	2360	1750
LDC-N-300	3900	3500	3500	4730	10x1	2360	2200
LDC-N-350	4550	3500	3500	4730	10x1	2360	2200
LDC-N-400	5200	4100	4100	4780	15x1	2970	2600
LDC-N-500	6500	4100	4100	4780	15x1	2970	2600
LDC-N-225-C2	5850	2900	5700	4730	7.5x2	2360	1750
LDC-N-250-C2	6500	2900	5700	4730	7.5x2	2360	1750
LDC-N-300-C2	7800	3500	6900	4930	10x2	2360	2200
LDC-N-350-C2	9100	3500	6900	4930	10x2	2360	2200
LDC-N-400-C2	10400	4100	8100	4980	15x2	2970	2600
LDC-N-500-C2	13000	4100	8100	4980	15x2	2970	2600
LDC-N-300-C3	11700	3500	10300	5030	10x3	2360	2200
LDC-N-350-C3	13650	3500	10300	5030	10x3	2360	2200
LDC-N-400-C3	15600	4100	12100	5080	15x3	2970	2600
LDC-N-500-C3	19500	4100	12100	5080	15x3	2970	2600
LDC-N-400-C4	20800	4100	16100	5180	15x4	2970	2600
LDC-N-500-C4	26000	4100	16100	5180	15x4	2970	2600
LDC-N-500-C5	32500	4100	20100	5280	15x5	2970	2600

1. Design Standard: Hot Water Temperature at 37°C; Cold Water Temperature at 32°C; Wet Bulb Temperature at 27°C; Water Flow at 13 LPM/RT

2. Total Pump Head: piping friction loss + condenser friction loss + tower head

## LDC-N-80~500-C5 PIPING SPECIFICATIONS



**400~500-C4**  
**Four Cells**

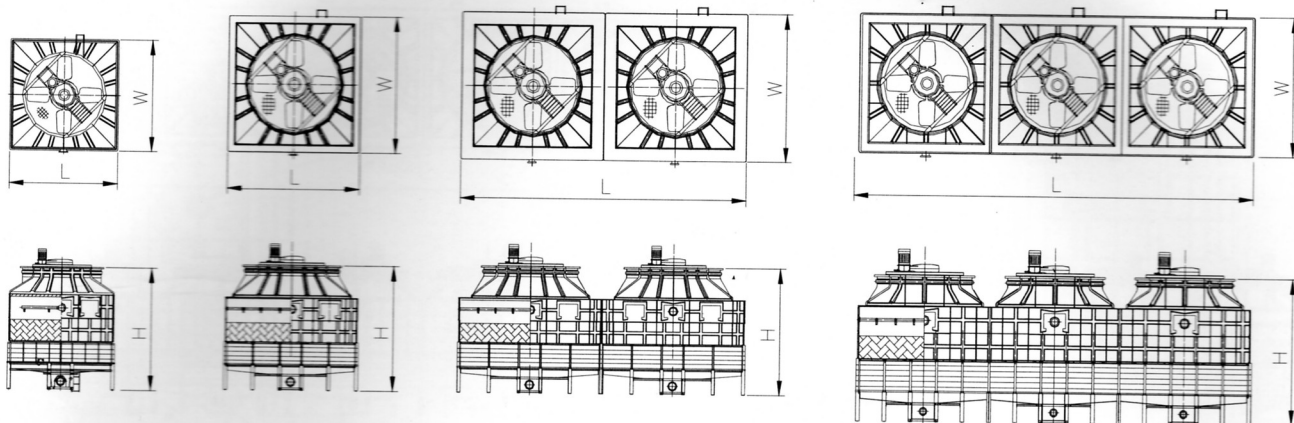
**400~500-C5**  
**Five Cells**

Item Model LDC-N	Dry Weight Kg	Operating Weight Kg	Tower Head M	Pipe Connetions				
				Inlet	Outlet	Drain	Overflow	Make-up
				(I)	(C)	(D)	(O)	Auto(A)/ Quick(M)
80	650	1770	6.7	4B(100A)x1	4B(100A)x1	2B(50A)x1	1B(25A)x1	1B(25A)x1
100	730	1870	7.9	4B(100A)x1	4B(100A)x1	2B(50A)x1	1B(25A)x1	1B(25A)x1
125	850	2230	7.9	5B(125A)x1	5B(125A)x1	2B(50A)x1	2B(50A)x1	1B(25A)x1
150	900	2720	5.8	5B(125A)x1	5B(125A)x1	2B(50A)x1	2B(50A)x1	1B(25A)x1
175	990	3020	7	5B(125A)x1	5B(125A)x1	2B(50A)x1	2B(50A)x1	1B(25A)x1
200	1100	3800	7	6B(150A)x1	6B(150A)x1	2B(50A)x1	2B(50A)x1	1 1/4B(32A)x1
225	1260	4050	8.5	6B(150A)x1	6B(150A)x1	2B(50A)x1	2B(50A)x1	1 1/4B(32A)x1
250	1290	4200	10.1	6B(150A)x1	6B(150A)x1	2B(50A)x1	2B(50A)x1	1 1/4B(32A)x1
300	1500	5500	7.4	8B(200A)x1	8B(200A)x1	2B(50A)x1	2B(50A)x1	1 1/4B(32A)x1
350	1620	5980	9	8B(200A)x1	8B(200A)x1	2B(50A)x1	2B(50A)x1	1 1/4B(32A)x1
400	2050	8150	8.9	8B(200A)x1	8B(200A)x1	2B(50A)x1	4B(100A)x1	2B(50A)x1
500	2400	8880	7.2	10B(250A)x1	10B(250A)x1	2B(50A)x1	4B(100A)x1	2B(50A)x1
225-C2	2400	7980	8.7	6B(150A)x2	6B(150A)x2	2B(50A)x2	2B(50A)x2	1 1/4B(32A)x2
250-C2	2460	8280	10.4	6B(150A)x2	6B(150A)x2	2B(50A)x2	2B(50A)x2	1 1/4B(32A)x2
300-C2	2860	10860	7.6	8B(200A)x2	8B(200A)x2	2B(50A)x2	2B(50A)x2	1 1/4B(32A)x2
350-C2	3100	11820	9.2	8B(200A)x2	8B(200A)x2	2B(50A)x2	2B(50A)x2	1 1/4B(32A)x2
400-C2	3940	16140	9.1	8B(200A)x2	8B(200A)x2	2B(50A)x2	4B(100A)x2	2B(50A)x2
500-C2	4640	17600	7.4	10B(250A)x2	10B(250A)x2	2B(50A)x2	4B(100A)x2	2B(50A)x2
300-C3	4220	16220	7.7	8B(200A)x3	8B(200A)x3	2B(50A)x3	2B(50A)x3	1 1/4B(32A)x3
350-C3	4580	17660	9.3	8B(200A)x3	8B(200A)x3	2B(50A)x3	2B(50A)x3	1 1/4B(32A)x3
400-C3	5830	24130	9.2	8B(200A)x3	8B(200A)x3	2B(50A)x3	4B(100A)x3	2B(50A)x3
500-C3	6880	26320	7.5	10B(250A)x3	10B(250A)x3	2B(50A)x3	4B(100A)x3	2B(50A)x3
400-C4	7720	32120	9.3	8B(200A)x4	8B(200A)x4	2B(50A)x4	4B(100A)x4	2B(50A)x4
500-C4	9120	35040	7.6	10B(250A)x4	10B(250A)x4	2B(50A)x4	4B(100A)x4	2B(50A)x4
500-C5	11360	43760	7.7	10B(250A)x5	10B(250A)x4	2B(50A)x5	4B(100A)x5	2B(50A)x5

3. For other multi-cell towers that are not listed here, please contact with our sales engineers.

4. If there is any change of piping size or additional equalizer pipe connection needed, please consult with our sales engineers in advance.

# LDC-N-600~1000-C5 DIMENSIONS & SPECIFICATIONS

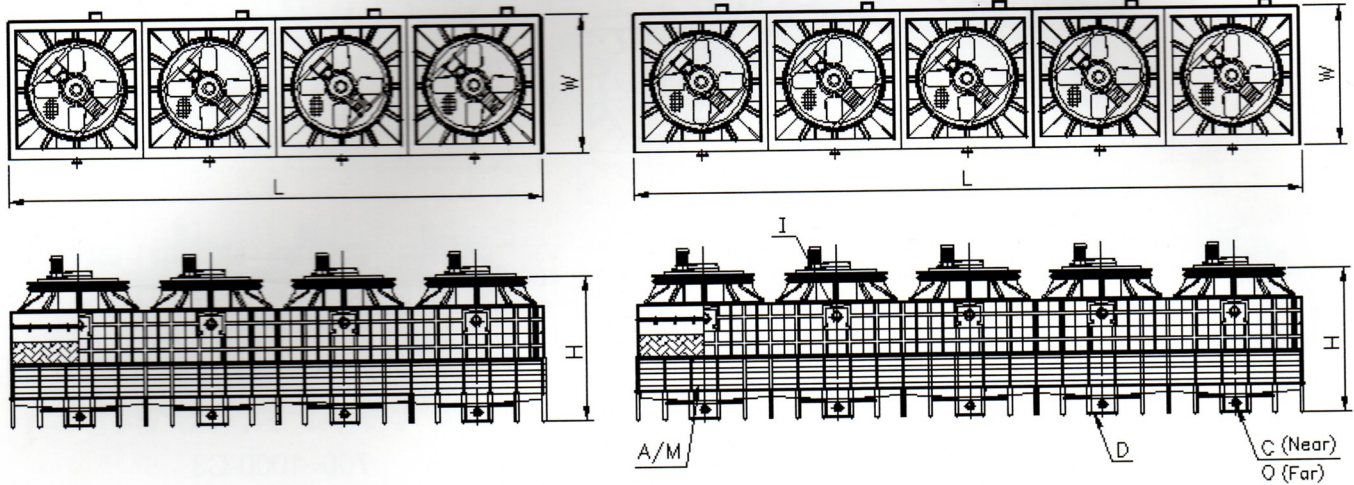


600 Single Cell      700~1000 Single Cell      700~1000-C2 Two Cells      700~1000-C3 Three Cells

Item Model LDC-N	Water Flow Rate	Dimensions			Transmission		
		Width (W)	Length (L)	Height (H)	Motor	Fan Diameter	Air Flow
	L/min	m/m	m/m	m/m	HP	D $\phi$ /mm	M <sup>3</sup> /MIN/CELL
600	7800	4730	4730	5160	20x1	3380	3600
700	9100	5230	5230	5135	20x1	3580	4200
800	10400	5730	5730	5235	30x1	3580	4800
900	11700	6230	6230	5535	30x1	4270	5400
1000	13000	6730	6730	5635	30x1	4270	6000
600-C2	15600	4730	9280	5360	20x2	3380	3600
700-C2	18200	5230	10230	5435	20x2	3580	4200
800-C2	20800	5730	11230	5535	30x2	3580	4800
900-C2	23400	6230	12230	5835	30x2	4270	5400
1000-C2	26000	6730	13230	5935	30x2	4270	6000
600-C3	23400	4730	13830	5360	20x3	3380	3600
700-C3	27300	5230	15230	5435	20x3	3580	4200
800-C3	31200	5730	16730	5535	30x3	3580	4800
900-C3	35100	6230	18230	5835	30x3	4270	5400
1000-C3	39000	6730	19730	5935	30x3	4270	6000
600-C4	31200	4730	18380	5560	20x4	3380	3600
700-C4	36400	5230	20230	5635	20x4	3580	4200
800-C4	41600	5730	22230	5735	30x4	3580	4800
900-C4	46800	6230	24230	6035	30x4	4270	5400
1000-C4	52000	6730	26230	6135	30x4	4270	6000
600-C5	39000	4730	22930	5560	20x5	3380	3600
700-C5	45500	5230	25230	5635	20x5	3580	4200
800-C5	52000	5730	27730	5735	30x5	3580	4800
900-C5	58500	6230	30230	6035	30x5	4270	5400
1000-C5	65000	6370	32730	6135	30x5	4270	6000

- Design Standard: Hot Water Temperature at 37°C; Cold Water Temperature at 32°C; Wet Bulb Temperature at 27°C; Water Flow at 13 LPM/RT
- Total Pump Head: piping friction loss + condenser friction loss + tower head

# LDC-N-600~1000-C5 SPECIFICATIONS & PIPING SIZE



700~1000-C4

Four Cells

700~1000-C5

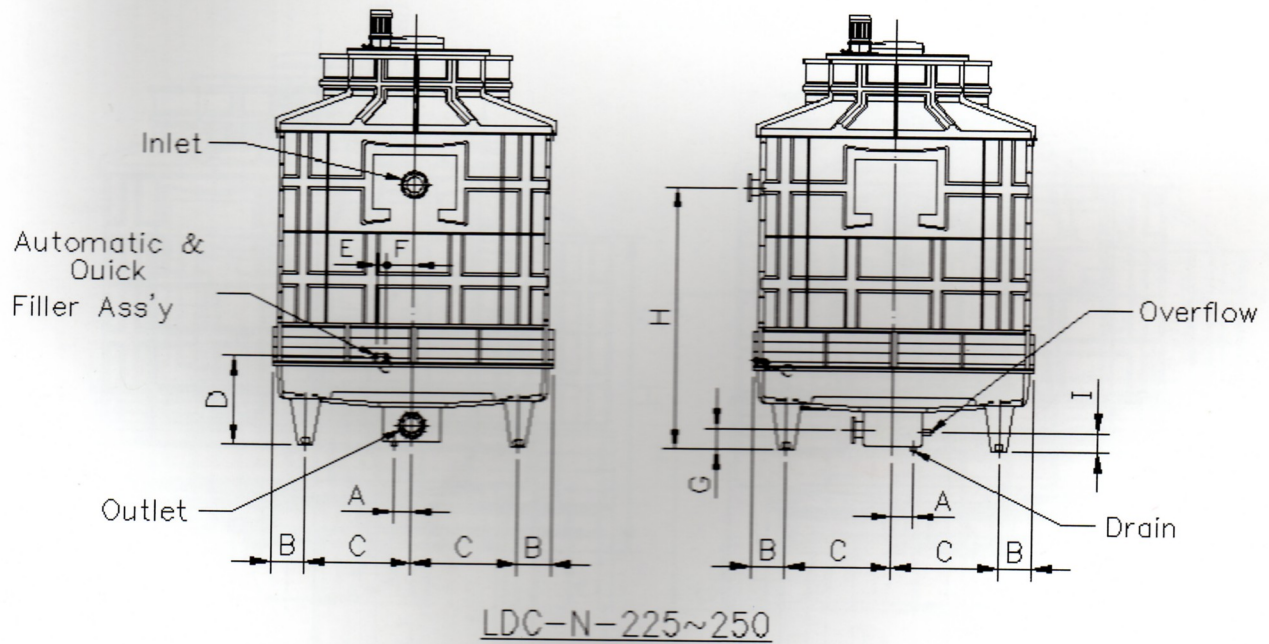
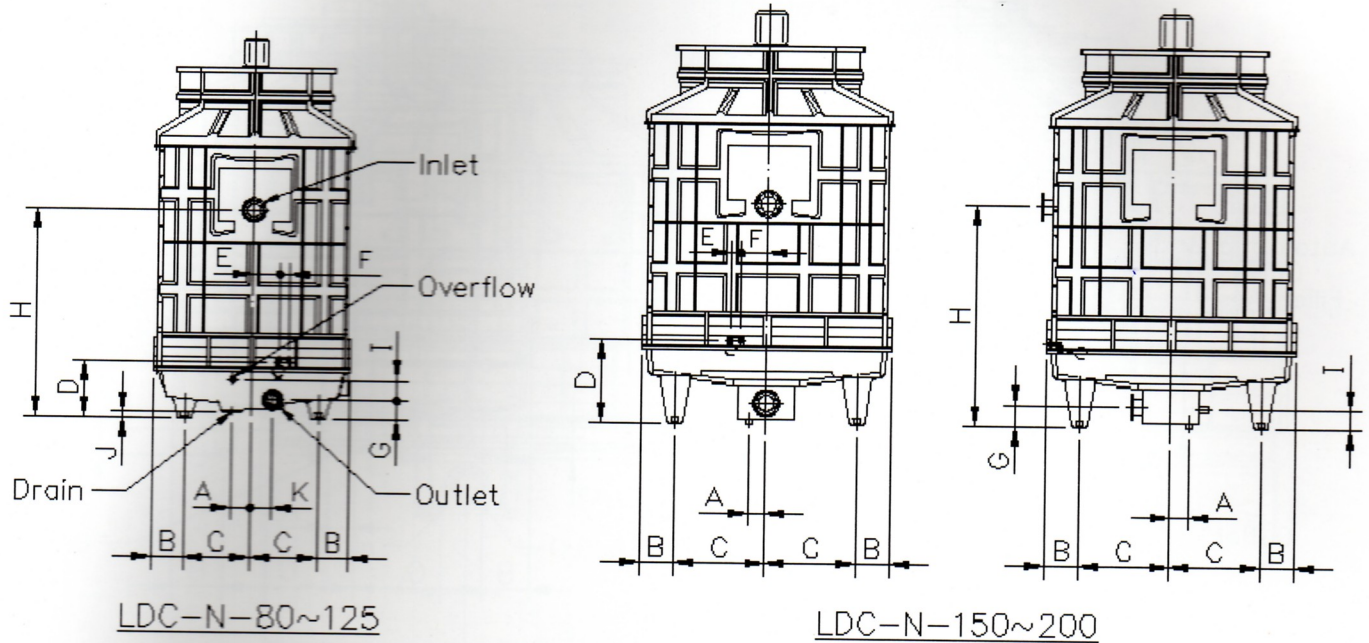
Five Cells

Item Model LDC-N	DRY Weight Kg	Operating Weight Kg	Tower Head M	Pipe Connections				
				Inlet	Outlet	Drain	Overflow	Make-up
				(I)	(C)	(D)	(O)	Auto(A)/Quick(M)
600	3300	9500	7.2	10B(250A)x1	10B(250A)x1	2B(50A)x1	4B(100A)x1	2B(50A)x1
700	4050	11550	6.9	10B(250A)x1	10B(250A)x1	3B(80A)x1	4B(100A)x1	2B(50A)x1
800	4750	13800	6.6	12B(300A)x1	12B(300A)x1	3B(80A)x1	4B(100A)x1	2B(50A)x1
900	5550	16450	6.2	12B(300A)x1	12B(300A)x1	3B(80A)x1	4B(100A)x1	2B(50A)x1
1000	6300	19050	5.8	12B(300A)x1	12B(300A)x1	3B(80A)x1	4B(100A)x1	2B(50A)x1
600-C2	6400	18800	7.4	10B(250A)x2	10B(250A)x2	2B(50A)x2	4B(100A)x2	2B(50A)x2
700-C2	7900	22900	7.2	10B(250A)x2	10B(250A)x2	3B(80A)x2	4B(100A)x2	2B(50A)x2
800-C2	9300	27400	6.9	12B(300A)x2	12B(300A)x2	3B(80A)x2	4B(100A)x2	2B(50A)x2
900-C2	10900	32700	6.5	12B(300A)x2	12B(300A)x2	3B(80A)x2	4B(100A)x2	2B(50A)x2
1000-C2	12400	37900	6.1	12B(300A)x2	12B(300A)x2	3B(80A)x2	4B(100A)x2	2B(50A)x2
600-C3	9500	28100	7.4	10B(250A)x3	10B(250A)x3	2B(50A)x3	4B(100A)x3	2B(50A)x3
700-C3	11750	34250	7.2	10B(250A)x3	10B(250A)x3	3B(80A)x3	4B(100A)x3	2B(50A)x3
800-C3	13850	41000	6.9	12B(300A)x3	12B(300A)x3	3B(80A)x3	4B(100A)x3	2B(50A)x3
900-C3	16250	48950	6.5	12B(300A)x3	12B(300A)x3	3B(80A)x3	4B(100A)x3	2B(50A)x3
1000-C3	18500	57150	6.1	12B(300A)x3	12B(300A)x3	3B(80A)x3	4B(100A)x3	2B(50A)x3
600-C4	12600	37400	7.6	10B(250A)x4	10B(250A)x4	2B(50A)x4	4B(100A)x4	2B(50A)x4
700-C4	15600	45600	7.4	10B(250A)x4	10B(250A)x4	3B(80A)x4	4B(100A)x4	2B(50A)x4
800-C4	18400	54600	7.1	12B(300A)x4	12B(300A)x4	3B(80A)x4	4B(100A)x4	2B(50A)x4
900-C4	21600	65200	6.7	12B(300A)x4	12B(300A)x4	3B(80A)x4	4B(100A)x4	2B(50A)x4
1000-C4	24600	75600	6.3	12B(300A)x4	12B(300A)x4	3B(80A)x4	4B(100A)x4	2B(50A)x4
600-C5	15700	46700	7.6	10B(250A)x5	10B(250A)x5	2B(50A)x5	4B(100A)x5	2B(50A)x5
700-C5	19450	56950	7.4	10B(250A)x5	10B(250A)x5	3B(80A)x5	4B(100A)x5	2B(50A)x5
800-C5	22950	68200	7.1	12B(300A)x5	12B(300A)x5	3B(80A)x5	4B(100A)x5	2B(50A)x5
900-C5	26950	81450	6.7	12B(300A)x5	12B(300A)x5	3B(80A)x5	4B(100A)x5	2B(50A)x5
1000-C5	30700	94450	6.3	12B(300A)x5	12B(300A)x5	3B(80A)x5	4B(100A)x5	2B(50A)x5

3. For other multi-cell towers that are not listed here, please contact with our sales engineers.

4. If there is any change of piping size or additional equalizer pipe connection needed, please consult with our sales engineers in advance.

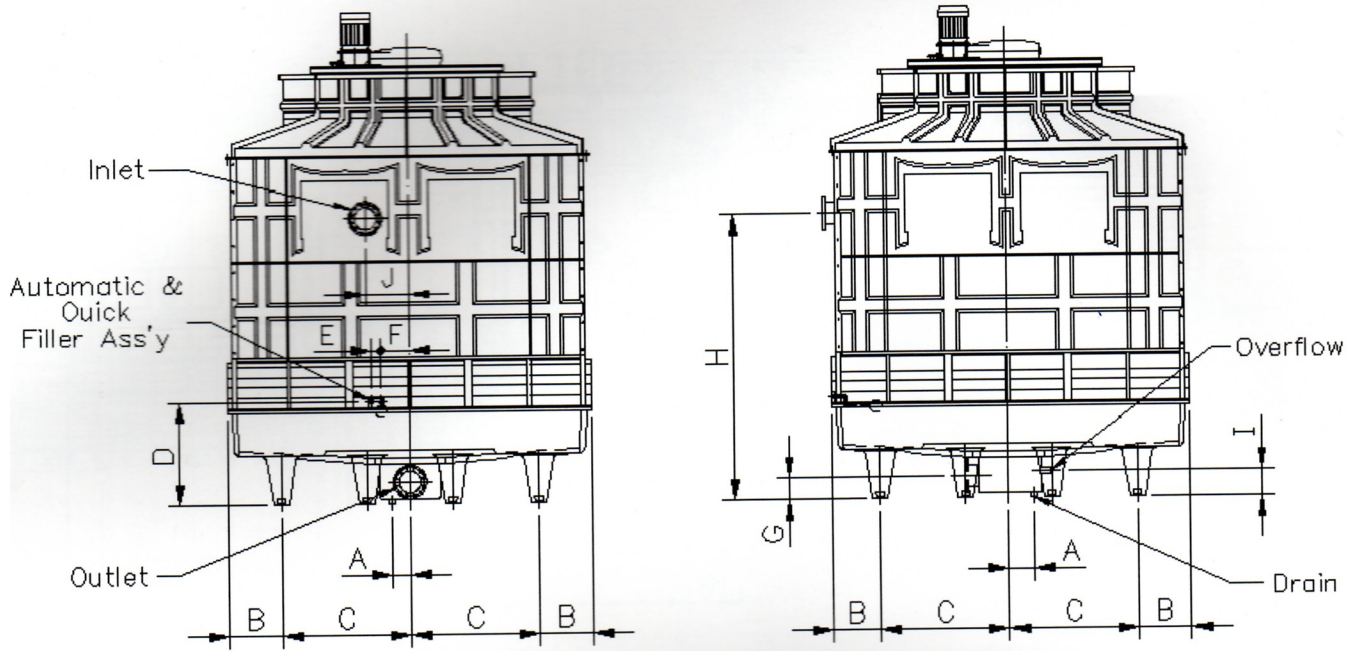
# LDC-N-80~250 WATER SUMP PIPING ORIENTATION



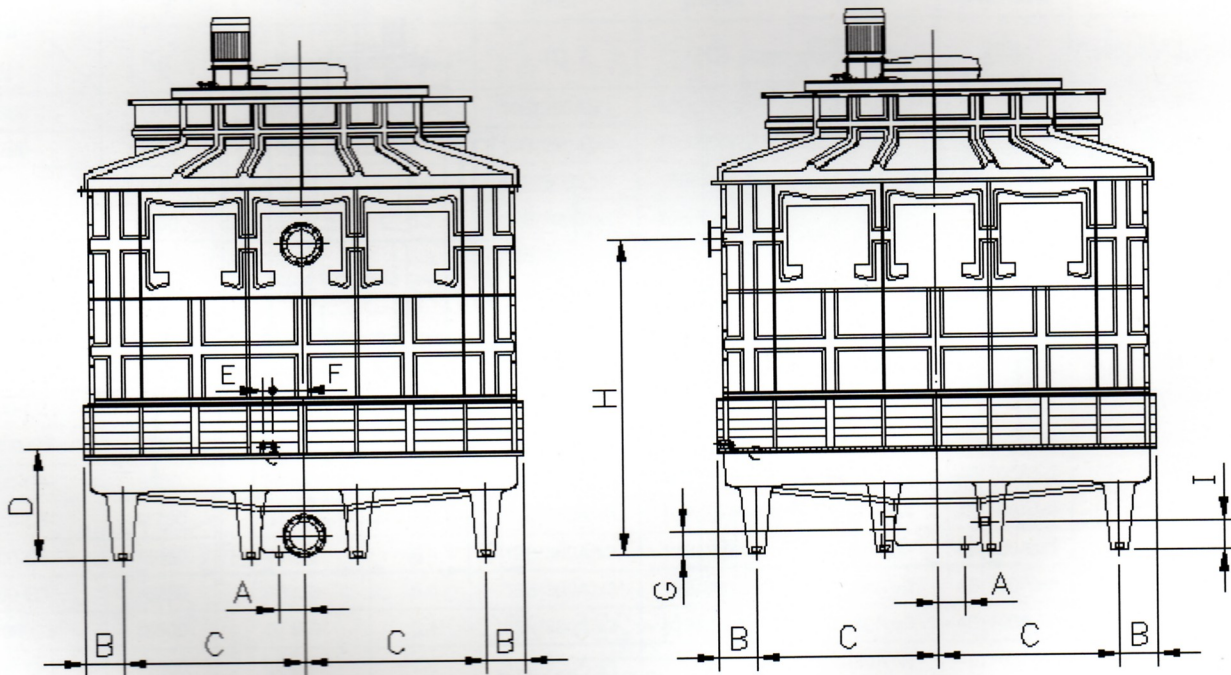
ITEM MODEL	PIPING ORIENTATION							UNIT: mm				
	A	B	C	D	E	F	G	H	I	J	K	
LDC-N-80	200	325	700	570	300	100	190	2270	205	55	220	
LDC-N-100	200	325	700	570	300	100	190	2495	205	55	220	
LDC-N-125	250	325	800	570	300	100	205	2500	190	55	250	
LDC-N-150	198	350	950	850	100	260	214	2650	200	—	—	
LDC-N-175	198	350	950	850	100	260	214	2800	200	—	—	
LDC-N-200	198	350	1100	875	140	360	214	2725	200	—	—	
LDC-N-225	198	350	1100	875	140	360	214	3000	200	—	—	
LDC-N-250	198	350	1100	875	140	360	214	3225	200	—	—	



# LDC-N-300~500 WATER SUMP PIPING ORIENTATION



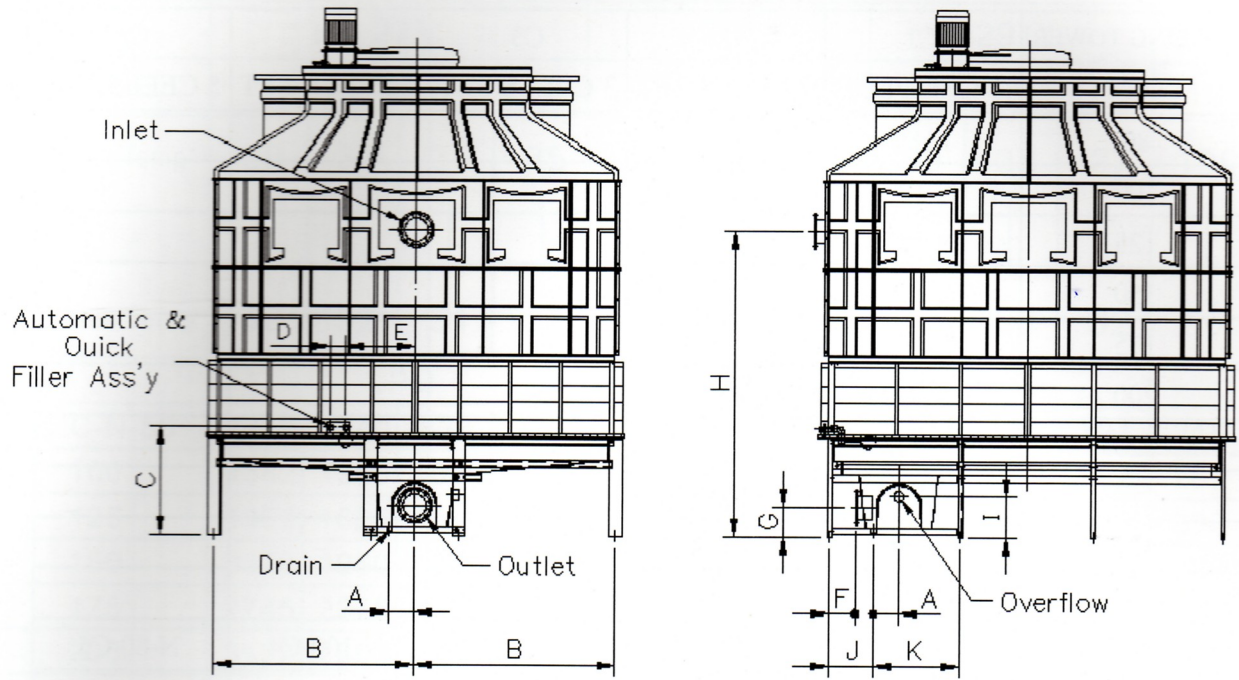
LDC-N-300~350



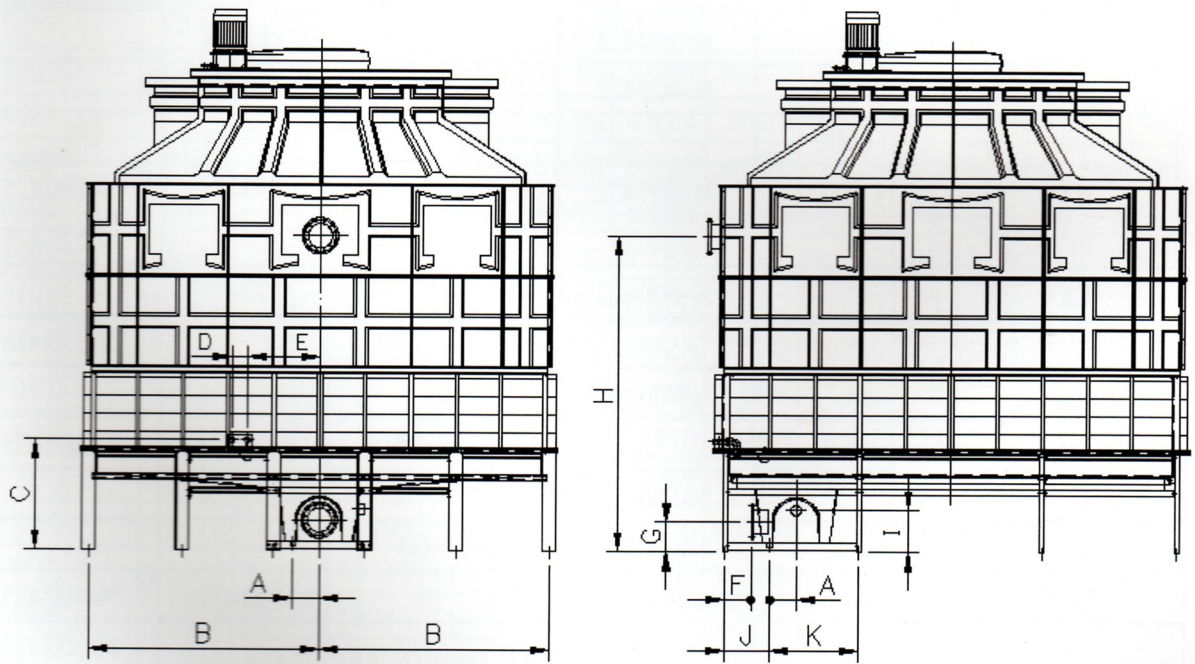
LDC-N-400~500

ITEM MODEL	PIPING ORIENTATION							UNIT: mm			
	A	B	C	D	E	F	G	H	I	J	
LDC-N-300	250	350	1400	975	140	405	221	3125	300	400	
LDC-N-350	250	350	1400	975	140	405	221	3350	300	400	
LDC-N-400	250	350	1700	1065	170	360	221	3175	330	—	
LDC-N-500	250	350	1700	1065	170	360	261	3475	330	—	

# LDC-N-600~1000 WATER SUMP PIPING ORIENTATION



LDC-N-600



LDC-N-700~1000

ITEM MODEL	PIPING ORIENTATION											UNIT: mm
	A	B	C	D	E	F	G	H	I	J	K	
LDC-N-600	285	2275	1215	170	875	295	340	3450	460	500	975	
LDC-N-700	285	2525	1215	170	875	295	340	3450	460	500	975	
LDC-N-800	285	2775	1215	170	875	295	340	3550	460	500	1225	
LDC-N-900	285	3025	1215	170	875	260	340	3550	460	500	1475	
LDC-N-1000	285	3275	1215	170	875	260	340	3500	460	500	1725	

## LDC-N MULTI-CELL COMBINATION LIST

COOLING TOWER LDC-N	C1 1 CELL/SET	C2 2 CELLS/SET	C3 3 CELLS/SET	C4 4 CELLS/SET	C5 5 CELLS/SET
80	N-80				
100	N-100				
125	N-125				
150	N-150				
175	N-175				
200	N-200	N-100-C2			
225	N-225				
250	N-250	N-125-C2			
300	N-300	N-150-C2	N-100-C3		
350	N-350	N-175-C2			
400	N-400	N-200-C2		N-100-C4	N-80-C5
500	N-500	N-250-C2		N-125-C4	N-100-C5
600	N-600	N-300-C2	N-200-C3	N-150-C4	
700	N-700	N-350-C2		N-175-C4	
800	N-800	N-400-C2		N-200-C4	
900	N-900		N-300-C3	N-225-C4	
1000	N-1000	N-500-C2		N-250-C4	N-200-C5
1125					N-225-C5
1200		N-600-C2	N-400-C3	N-300-C4	
1250					N-250-C5
1400		N-700-C2		N-350-C4	
1500			N-500-C3		N-300-C5
1600		N-800-C2		N-400-C4	
1800		N-900-C2	N-600-C3		
2000		N-1000-C2		N-500-C4	N-400-C5
2500					N-500-C5
3000			N-1000-C3		N-600-C5
3500					N-700-C5
4000				N-1000-C4	N-800-C5
4500					N-900-C5
5000					N-1000-C5

\* Above table is for reference in combination consideration; if there is any space constrained or other considerations, please make contact with our sales department or all branch office for further details of other combinations or custom-made design.

# LIANG CHI LDC-N TOWER SELECTION TABLE

▼ STANDARD DESIGN TEMP CONDITIONS

W.B.	27°C				28°C			29°C			83°F	84°F
RANGE	5				5			5			10	10
Hot Water Temp	38	37	36	35	38	37	36	39	38	37	100	100
Cold Water Temp	33	32	31	30	33	32	31	34	33	32	90	90
	LPM				LPM			LPM			GPM	
LDC-N-80	1259	1040	833	637	1104	885	677	1172	940	721	215	193
100	1582	1300	1035	787	1381	1101	838	1468	1171	892	267	239
125	1962	1625	1306	1003	1724	1387	1066	1829	1473	1134	338	304
150	2379	1950	1548	1172	2073	1647	1248	2205	1753	1330	399	356
175	2745	2275	1830	1407	2413	1942	1495	2560	2063	1590	473	426
200	3122	2600	2103	1627	2755	2230	1728	2920	2366	1836	545	492
225	3551	2925	2335	1779	3106	2482	1893	3300	2639	2016	602	540
250	3914	3250	2619	2018	3446	2779	2145	3654	2950	2279	677	610
300	4715	3900	3129	2399	4138	3323	2551	4392	3531	2713	808	726
350	5429	4550	3707	2897	4815	3927	3072	5096	4161	3259	963	873
400	6224	5200	4221	3283	5506	4474	3484	5832	4744	3669	1095	990
500	7600	6500	5431	4380	6850	5727	4625	7220	6042	4884	1422	1308
600	9516	7800	6192	4688	8292	6588	4992	8820	7012	5320	1596	1424
700	10980	9100	7320	5628	9652	7768	5980	10240	8252	6360	1892	1704
800	12488	10400	8412	6508	11020	8920	6912	11680	9464	7344	2180	1968
900	14204	11700	9340	7116	12424	9928	7572	13200	10556	8064	2408	2160
1000	15656	13000	10476	8072	13784	11116	8580	14616	11800	9116	2708	2440
1125	17755	14625	11675	8895	15530	12410	9465	16500	13195	10080	3010	2700
1200	18860	15600	12516	9596	16552	13292	10204	17568	14124	10852	3232	2904
1250	19570	16250	13095	10090	17230	13895	10725	18270	14750	11395	3385	3050
1400	21960	18200	14640	11256	19304	15536	11960	20480	16504	12720	3784	3408
1500	23575	19500	15645	11995	20690	16615	12755	21960	17655	13565	4040	3630
1600	24976	20800	16824	13016	22040	17840	13824	23360	18928	14688	4360	3936
1800	28548	23400	18576	14064	24876	19764	14976	26460	21036	15960	4788	4272
2000	31312	26000	20952	16144	27568	22232	17160	29232	23600	18232	5416	4880
2500	38000	32500	27155	21900	34250	28635	23125	36100	30210	24420	7110	6540
3000	47580	39000	30960	23440	41460	32940	24960	44100	35060	26600	7980	7120
3500	54900	45500	36600	28140	48260	38840	29900	51200	41260	31800	9460	8520
4000	62624	52000	41904	32288	55136	44464	34320	58464	47200	36464	10832	9760
4500	71020	58500	46700	35580	62120	49640	37860	66000	52780	40320	12040	10800
5000	78280	65000	52380	40360	68920	55580	42900	73080	59000	45580	13540	12200

Remarks: 1. Above table of LDC-N-80~1000 is for single cell towers and the rest are multi-cell combinations.

2. After selection, please refer to above "Multi-cell Combination Table" for proper combination.



LDC-N Combination



LDC-N Combination



LDC-N Combination



LDC-N Combination



LDC-N Combination



LDC-N Combination



SINCE 1962

## LIANG CHI INTERNATIONAL GROUP

### LIANG CHI INDUSTRY CO., LTD.

#### Head Office

No. 1, Sec. 3, Nanking East Road, Taipei, Taiwan, R. O. C.  
(Liang Chi Building) [Http://www.liangchi.com.tw](http://www.liangchi.com.tw)  
Tel.: 886-2-25063588 Fax: 886-2-25067227

#### Head Factory

No. 291, Sec. 2, Hai-San Rd., Hai-Hwu Village, Taoyuan,  
Taiwan, R. O. C.  
Tel.: 886-3-3541201 Fax: 886-3-3541426

### LIANG CHI THAILAND INDUSTRY CO. LTD.

Num-Krai Real Estate, 223 MOO 9, Tab-Yao, Lad-Krabang,  
Bangkok 10520, Thailand  
Tel.: 66-2-7381788 Fax: 66-2-7381780

### LIANG CHI II(VN) INDUSTRY CO., LTD.

Binh Phu Village, Binh Chuan Town, Thuan An District,  
Binh Duong Province, Vietnam  
Tel.: 84-650-611088 94 Fax: 84-650-611095

### PT. LIANG CHI INDONESIA

J1. Daan Mogot Km. 12, No. 9 Cengkareng, Jakarta  
11730, Indonesia  
Tel.: 62-21-6193099 Fax: 62-21-6193447

### LIANG CHI PHILS., INC

Km. 20, Ortigasd Ave. Ext. San Isidro, Taytay Rizal  
Metro Manila, Philippines  
Tel.: 63-2-6588529 Fax: 63-2-6588769

### LIANG CHI USA CORP. DBA AMCOT COOLING TOWER CORP.

350 N, Ponderosa Ave., Ontario, CA91761, U. S. A.  
Tel.: 1-909-3902598 Fax: 1-909-3901098

### LIANG CHI ENTERPRISE SDN. BHD. (MAYLAISIA)

No. 1, Jalan Perusahaan 27, Kg. Idaman, Pandamaran,  
42000 Port Klang, Selangor, Malaysia  
Tel.: 60-3-31688399 Fax: 60-3-31681899

