

良機

1962創業

Cooling Tower

Series

U-LC

LIANG CHI INDUSTRY CO., LTD.

多功能冷却塔性能測試場  
COOLING TOWER TEST LABORATORY PER C.T.I.

Liang Chi Series U-LC cooling towers have been designed for cross flow type with Low Noise Motor and Fan. The compact design is suitable for Equipment Cooling, Industrial Process Cooling and Air Conditioning.



Thermal Performance certified by the Cooling Technology Institute (CTI) in accordance with CTI STD-201

## Characteristics

### International Standards

Series U-LC cooling towers have been designed according to the international standards featuring light weight structure easy transport, easy lifting and easy site installation.

### Low Noise & Easy Maintenance

Series U-LC cooling tower use high tension V-belt reducers, which are correspond to the low noise axial flow fans featuring silent operation and easy maintenance.

### Light Weight, Smaller Footprint and Multi-Cell Installation

Comparing with other types of cooling tower, U-LC features lighter operational weight and smaller footprint. Also the combinative multi-cell structure is suitable for large cooling requirement and future expansion.

### High Efficiency Distribution System

Gravitational distribution systems with spray nozzles feature low pressure and slow water flow which can prolong cooling duration and ensure cooling efficiency.

### Efficient Performance

Unique design of vacuum-formed and chevron configuration type filling with ripple surface facilitate even spread and long duration of water drop and free of deposits and scales.

### Low Electrical Power Consumption

The high efficient hydrodynamic "venturi-tube" fan stack with high efficient low-resistance filling facilitates good ventilation and reduction of fan motor power to save electrical power.

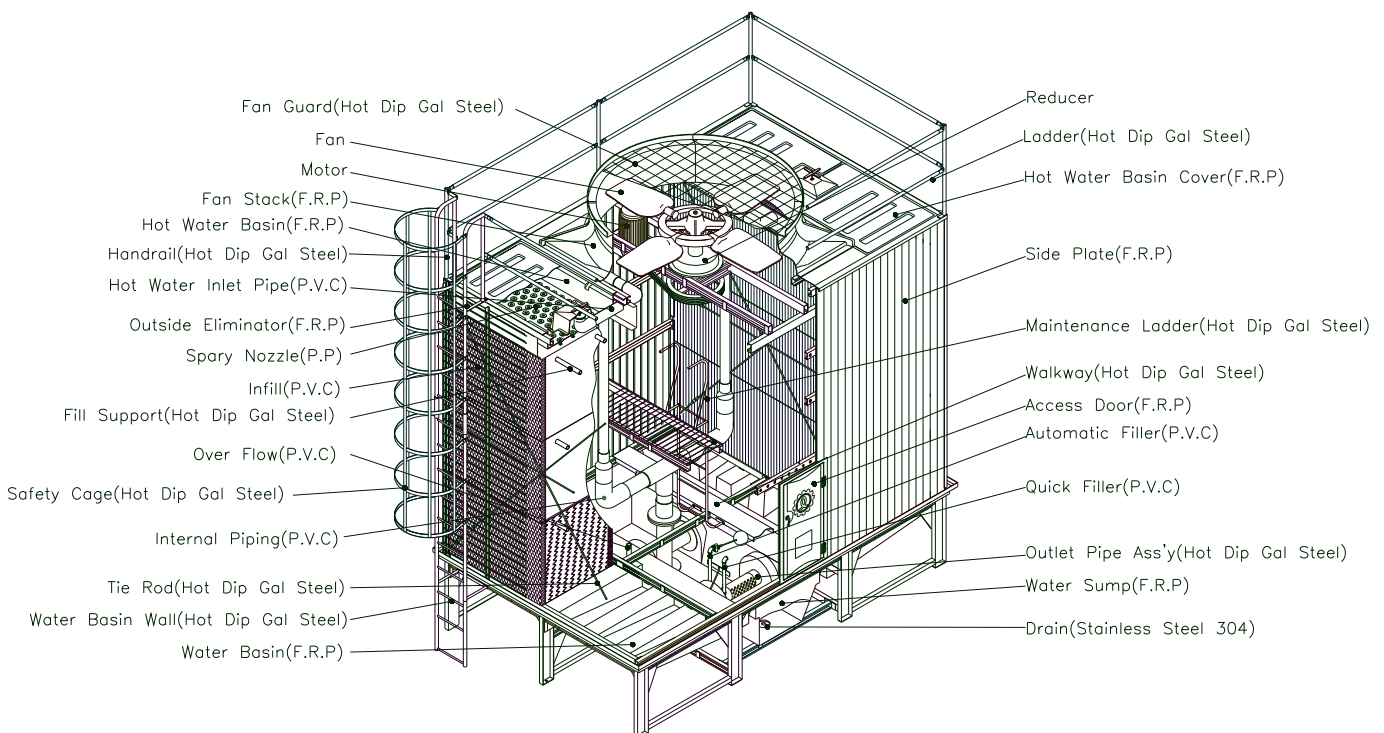
### Long Service Life

U-LC tower components are made of weatherproof and anticorrosive materials. Casing is constructed of anti ultraviolet P.V.C. which features soundproof and non-decayed merits with fine streamline outlook. Fan stack, basin and access door are made by F.R.P. Filling and inlet louvers are by P.V.C. Supporting rack is made of light weight steel. All the steel parts are hot dip galvanized so as to prolong the service life.

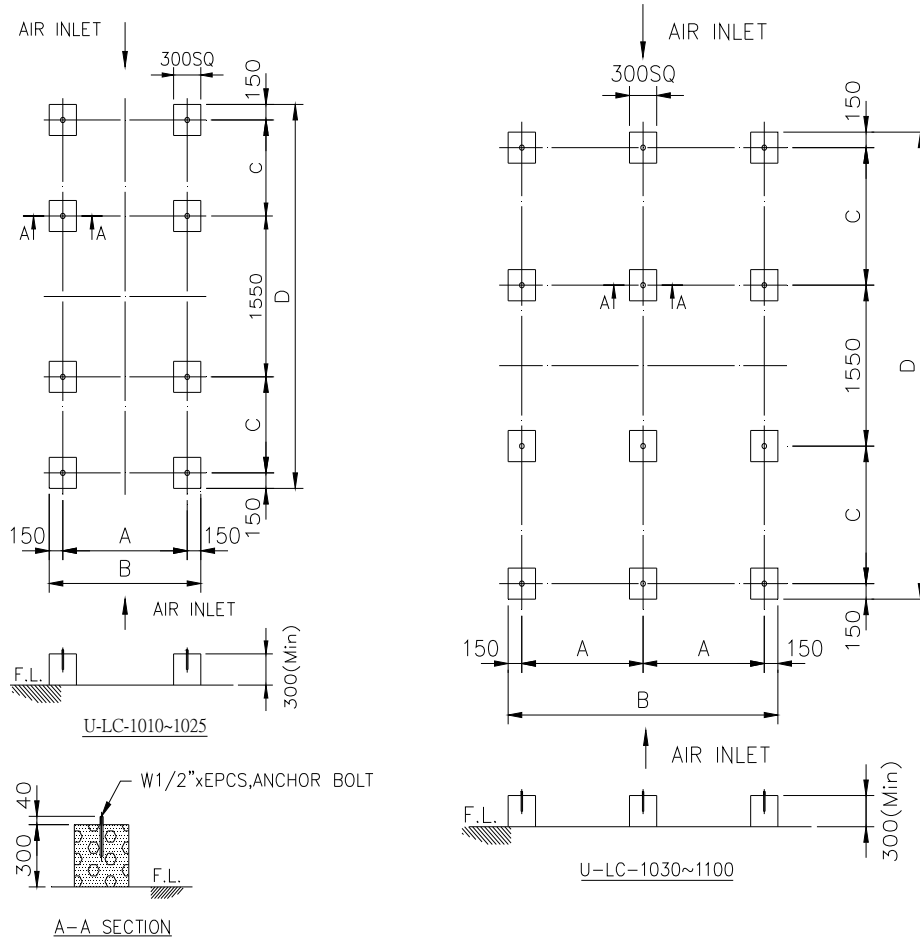
### Easy Piping Arrangement & Low Piping Cost

Internal or external piping arrangements provide flexibility to meet the piping orientations to save the cost of piping work.

## Structure and Standard Materials



# Recommended Concrete Foundations

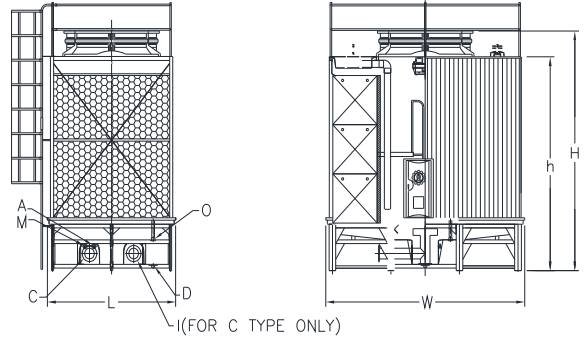
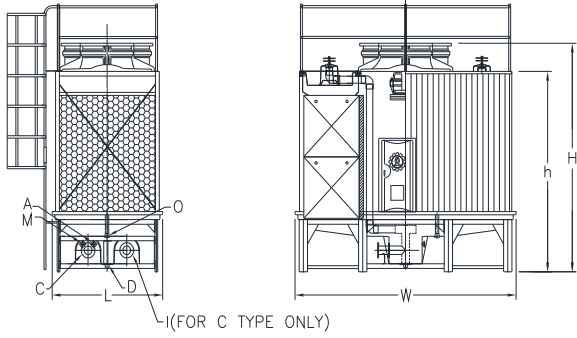
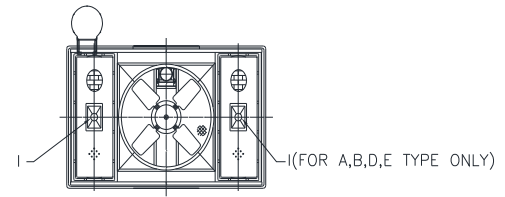
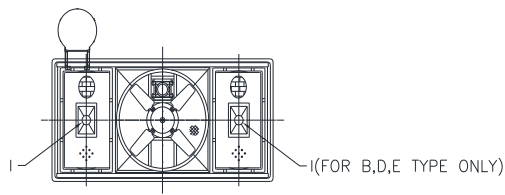


- NOTES : 1.All concrete foundations must be level on the top.  
 2.The concrete foundations as shown are non-isolator type. For isolator type , please contact your local supplier or distributor.  
 3.Multiple cell models of the single cell models are also available but not showed. For more information , please contact your local supplier or distributor.  
 4.All dimensions are in millimeters.

U-LC-ITEMS	1010C, P-2W,4W,7W	1012C,D, P-2W,4W,7W	1015B,C,D ,E,P-2W,4W,7W	1017B,C,D ,E,P-2W,4W,7W	1020B,C,D ,E,P-2W,4W,7W	1022B,C,D ,E,P-2W,4W,7W	1025B,C,D ,E,P-2W,4W,7W	1030A,B,C ,D,E,P-2W,4W,7W	1035A,B,C, D,E,P-2W,4W,7W
A	1370	1770	2070	2070	2070	2370	2370	1335	1335
B	1670	2070	2370	2370	2370	2670	2670	2970	2970
C	925	1075	1075	1175	1225	1325	1325	1325	1525
D	3700	4000	4000	4200	4300	4500	4500	4500	4900
E	8	8	8	8	8	8	8	12	12

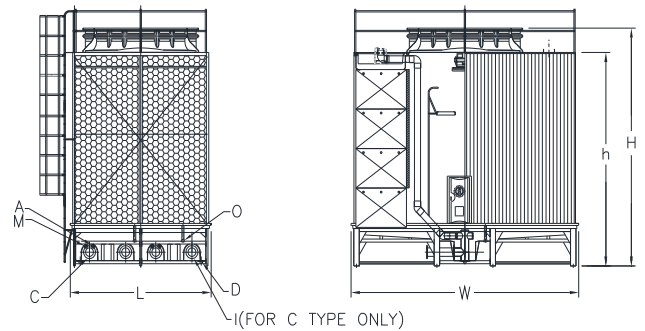
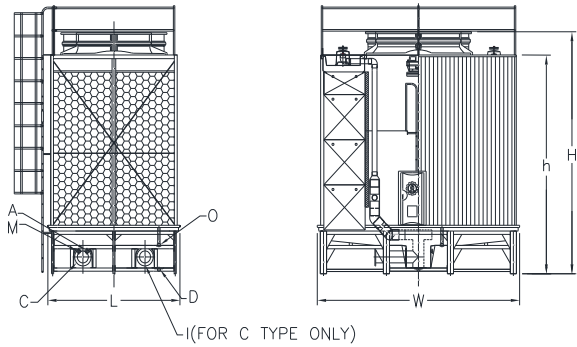
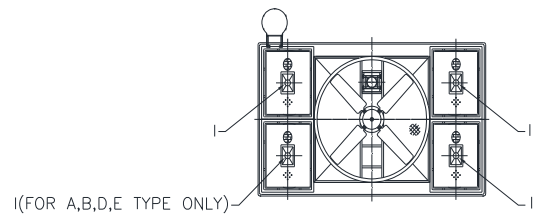
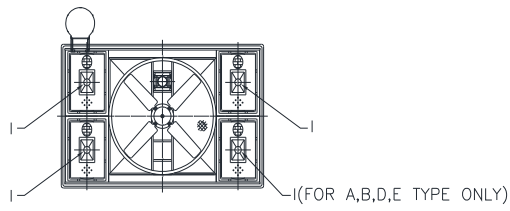
U-LC-ITEMS	1040A,B,C, D,E,P-2W,4W,7W	1045A,B,C ,D,E,P-2W,4W,7W	1050A,B,C ,D,E,P-2W,4W,7W	1060A,B,C ,D,E,P-2W,4W,7W	1070A,B,C ,D,E,P-2W,4W,7W	1080A,B,C ,D,E,P-2W,4W,7W	1090A,B,C ,D,E,P-2W,4W,7W	1100A,B,C ,D,E,P-2W,4W,7W
A	1485	1635	1635	1835	1835	2235	2435	2735
B	3270	3570	3570	3970	3970	4770	5170	5770
C	1525	1825	2225	2225	2425	2425	2525	2525
D	4900	5500	6300	6300	6700	6700	6900	6900
E	12	12	12	12	12	12	12	12

# Dimensions and Standard Specifications



U-LC-1010~1025

U-LC-1030~1035



U-LC-1040~1050

U-LC-1060~1100

**NOTE :**

For A,B,D and E types of Series U-LC, safety cage, handrail and internal piping, which are optional accessories, unless specified by customer, shall not be provided.

Tower Model U-LC-	Nominal Ton*1	Nomin-al Water Flow (L/S)	Dimensions (mm)				Fan Dia. (mm)	Fan Motor (HP)
			Width	Length	Height			
			W	L	h	H		
1010C	85	18.4	3700	1600	3270	3730	1200	3 x 1
1010C-P-2W	57	12.4						
1010C-P-4W	68	14.7						
1010C-P-7W	74	16.0						
1012C	99	21.5	4000	2000	3270	3730	1500	5 x 1
1012C-P-2W	66	14.3						
1012C-P-4W	79	17.1						
1012C-P-7W	87	18.9						
1012D	113	24.5	4000	2000	3270	3730	1500	7 1/2 x 1
1012D-P-2W	75	16.3						
1012D-P-4W	90	19.5						
1012D-P-7W	99	21.5						
1015B	98	21.2	4000	2300	3270	3730	1500	3 x 1
1015B-P-2W	65	14.1						
1015B-P-4W	78	16.9						
1015B-P-7W	86	18.6						
1015C	116	25.1	4000	2300	3270	3730	1500	5 x 1
1015C-P-2W	77	16.7						
1015C-P-4W	93	20.2						
1015C-P-7W	102	22.1						
1015D	133	28.8	4000	2300	3270	3730	1500	7 1/2 x 1
1015D-P-2W	89	19.3						
1015D-P-4W	106	23.0						
1015D-P-7W	116	25.1						
1015E	145	31.4	4000	2300	3270	3730	1500	10 x 1
1015E-P-2W	97	21.0						
1015E-P-4W	116	25.1						
1015E-P-7W	127	27.5						
1017B	123	26.7	4200	2300	3770	4270	1700	3 x 1
1017B-P-2W	82	17.8						
1017B-P-4W	98	21.2						
1017B-P-7W	108	23.4						
1017C	148	32.1	4200	2300	3770	4270	1700	5 x 1
1017C-P-2W	99	21.5						
1017C-P-4W	118	25.6						
1017C-P-7W	130	28.2						
1017D	167	36.2	4200	2300	3770	4270	1700	7 1/2 x 1
1017D-P-2W	111	24.1						
1017D-P-4W	134	29.0						
1017D-P-7W	146	31.6						
1017E	188	40.7	4200	2300	3770	4270	1700	10 x 1
1017E-P-2W	125	27.1						
1017E-P-4W	150	32.5						
1017E-P-7W	165	35.8						
1020B	149	32.3	4300	2300	3770	4290	1800	5 x 1
1020B-P-2W	99	21.5						
1020B-P-4W	119	25.8						
1020B-P-7W	130	28.2						
1020C	170	36.8	4300	2300	3770	4290	1800	7 1/2 x 1
1020C-P-2W	113	24.5						
1020C-P-4W	136	29.5						
1020C-P-7W	149	32.3						
1020D	187	40.5	4300	2300	3770	4290	1800	10 x 1
1020D-P-2W	125	27.1						
1020D-P-4W	150	32.5						
1020D-P-7W	164	35.5						
1020E	211	45.7	4300	2300	3770	4290	1800	15 x 1
1020E-P-2W	141	30.6						
1020E-P-4W	169	36.6						
1020E-P-7W	185	40.1						

Tower Model U-LC-	Nominal Ton*1	Nomin-al Water Flow (L/S)	Dimensions (mm)				Fan Dia. (mm)	Fan Motor (HP)
			Width	Length	Height			
			W	L	h	H		
1022B	173	37.5	4500	2600	3770	4290	2000	5 x 1
1022B-P-2W	115	24.9						
1022B-P-4W	138	29.9						
1022B-P-7W	151	32.7						
1022C	207	44.9	4500	2600	3770	4290	2000	7 1/2 x 1
1022C-P-2W	138	29.9						
1022C-P-4W	166	36.0						
1022C-P-7W	181	39.2						
1022D	229	49.6	4500	2600	3770	4290	2000	10 x 1
1022D-P-2W	153	33.2						
1022D-P-4W	183	39.7						
1022D-P-7W	200	43.3						
1022E	262	56.8	4500	2600	3770	4290	2000	15 x 1
1022E-P-2W	175	37.9						
1022E-P-4W	210	45.5						
1022E-P-7W	229	49.6						
1025B	207	44.9	4500	2600	3770	4290	2000	7 1/2 x 1
1025B-P-2W	138	29.9						
1025B-P-4W	166	36.0						
1025B-P-7W	181	39.2						
1025C	229	49.6	4500	2600	3770	4290	2000	10 x 1
1025C-P-2W	153	33.2						
1025C-P-4W	183	39.7						
1025C-P-7W	200	43.3						
1025D	262	56.8	4500	2600	3770	4290	2000	15 x 1
1025D-P-2W	175	37.9						
1025D-P-4W	210	45.5						
1025D-P-7W	229	49.6						
1025E	288	62.4	4500	2600	3770	4290	2000	20 x 1
1025E-P-2W	192	41.6						
1025E-P-4W	230	49.8						
1025E-P-7W	252	54.6						
1030A	191	41.4	4500	2900	4370	4890	2000	5 x 1
1030A-P-2W	127	27.5						
1030A-P-4W	153	33.2						
1030A-P-7W	167	36.2						
1030B	219	47.5	4500	2900	4370	4890	2000	7 1/2 x 1
1030B-P-2W	146	31.6						
1030B-P-4W	175	37.9						
1030B-P-7W	192	41.6						
1030C	241	52.2	4500	2900	4370	4890	2000	10 x 1
1030C-P-2W	161	34.9						
1030C-P-4W	193	41.8						
1030C-P-7W	211	45.7						
1030D	277	60.0	4500	2900	4370	4890	2000	15 x 1
1030D-P-2W	185	40.1						
1030D-P-4W	222	48.1						
1030D-P-7W	242	52.4						
1030E	295	63.9	4500	2900	4370	4890	2000	20 x 1
1030E-P-2W	197	42.7						
1030E-P-4W	236	51.1						
1030E-P-7W	258	55.9						
1035A	226	49.0	4900	2900	4370	4890	2360	5 x 1
1035A-P-2W	151	32.7						
1035A-P-4W	181	39.2						
1035A-P-7W	198	42.9						
1035B	260	56.3	4900	2900	4370	4890	2360	7 1/2 x 1
1035B-P-2W	173	37.5						
1035B-P-4W	208	45.1						
1035B-P-7W	228	49.4						

Tower Model U-LC-	Nominal Ton*1	Nomin-al Water Flow (L/S)	Dimensions (mm)				Fan Dia. (mm)	Fan Motor (HP)
			Width	Length	Height			
			W	L	h	H		
1035C	285	61.8	4900	2900	4370	4890	2360	10 x 1
1035C-P-2W	190	41.2						
1035C-P-4W	228	49.4						
1035C-P-7W	249	54.0						
1035D	322	69.8	4900	2900	4370	4890	2360	15 x 1
1035D-P-2W	215	46.6						
1035D-P-4W	258	55.9						
1035D-P-7W	282	61.1						
1035E	353	76.5	4900	2900	4370	4890	2360	20 x 1
1035E-P-2W	235	50.9						
1035E-P-4W	282	61.1						
1035E-P-7W	309	67.0						
1040A	238	51.6	4900	3200	4870	5390	2360	5 x 1
1040A-P-2W	159	34.5						
1040A-P-4W	190	41.2						
1040A-P-7W	208	45.1						
1040B	274	59.4	4900	3200	4870	5390	2360	7 1/2 x 1
1040B-P-2W	183	39.7						
1040B-P-4W	219	47.5						
1040B-P-7W	240	52.0						
1040C	300	65.0	4900	3200	4870	5390	2360	10 x 1
1040C-P-2W	200	43.3						
1040C-P-4W	240	52.0						
1040C-P-7W	263	57.0						
1040D	339	73.5	4900	3200	4870	5390	2360	15 x 1
1040D-P-2W	226	49.0						
1040D-P-4W	271	58.7						
1040D-P-7W	297	64.4						
1040E	372	80.6	4900	3200	4870	5390	2360	20 x 1
1040E-P-2W	248	53.7						
1040E-P-4W	298	64.6						
1040E-P-7W	326	70.6						
1045A	322	69.8	5500	3500	4870	5490	2970	7 1/2 x 1
1045A-P-2W	215	46.6						
1045A-P-4W	258	55.9						
1045A-P-7W	282	61.1						
1045B	345	74.8	5500	3500	4870	5490	2970	10 x 1
1045B-P-2W	230	49.8						
1045B-P-4W	276	59.8						
1045B-P-7W	302	65.4						
1045C	383	83.0	5500	3500	4870	5490	2970	15 x 1
1045C-P-2W	255	55.3						
1045C-P-4W	306	66.3						
1045C-P-7W	335	72.6						
1045D	405	87.8	5500	3500	4870	5490	2970	20 x 1
1045D-P-2W	270	58.5						
1045D-P-4W	324	70.2						
1045D-P-7W	354	76.7						
1045E	427	92.5	5500	3500	4870	5490	2970	25 x 1
1045E-P-2W	285	61.8						
1045E-P-4W	342	74.1						
1045E-P-7W	374	81.0						
1050A	372	80.6	6300	3500	4870	5490	2970	7 1/2 x 1
1050A-P-2W	248	53.7						
1050A-P-4W	298	64.6						
1050A-P-7W	326	70.6						
1050B	397	86.0	6300	3500	4870	5490	2970	10 x 1
1050B-P-2W	265	57.4						
1050B-P-4W	318	68.9						
1050B-P-7W	347	75.2						

Tower Model U-LC-	Nominal Ton*1	Nomin-al Water Flow (L/S)	Dimensions (mm)				Fan Dia. (mm)	Fan Motor (HP)
			Width	Length	Height			
			W	L	h	H		
1050C	447	96.9	6300	3500	4870	5490	2970	15 x 1
1050C-P-2W	298	64.6						
1050C-P-4W	358	77.6						
1050C-P-7W	391	84.7						
1050D	486	105.3	6300	3500	4870	5490	2970	20 x 1
1050D-P-2W	324	70.2						
1050D-P-4W	389	84.3						
1050D-P-7W	425	92.1						
1050E	516	111.8	6300	3500	4870	5490	2970	25 x 1
1050E-P-2W	344	74.5						
1050E-P-4W	413	89.5						
1050E-P-7W	452	97.9						

1. Nominal Tons are defined as the capacity that can deal with 13 lpm of water per ton, cooled from 37°C to 32°C with a 27°C entering wet bulb temperature.
2. Total pump head required for cooling water circulation pump is the sum of condenser water pressure drop, piping friction loss and tower head.
3. All dimensions are in millimeters. Weights are in kilograms.
4. Multiple cell models of the single cell models above are also available but not listed. For more information, please contact your local supplier or distributor.



Tower Model U-LC-	Pipe Connections						Approximate		Tower Head*2 (M)
	Inlet	Outlet	Drain	Over Flow	Auto Filler	Quick Filler	Dry Wt. (kg)	Operating Wt. (kg)	
	(I)	(C)	(D)	(O)	(A)	(M)			
1010C	5B(125A)×1	5B(125A)×1	2B(50A)×1	2B(50A)×1	1B(25A)×1	1B(25A)×1	900	2600	3.9
1010C-P-2W									
1010C-P-4W									
1010C-P-7W									
1012C	5B(125A)×1	5B(125A)×1	2B(50A)×1	2B(50A)×1	1B(25A)×1	1B(25A)×1	1200	3600	3.9
1012C-P-2W									
1012C-P-4W									
1012C-P-7W									
1012D	4B(100A)×2	5B(125A)×1	2B(50A)×1	2B(50A)×1	1B(25A)×1	1B(25A)×1	1120	3520	3.9
1012D-P-2W									
1012D-P-4W									
1012D-P-7W									
1015B	4B(100A)×2	6B(150A)×1	2B(50A)×1	2B(50A)×1	1B(25A)×1	1B(25A)×1	1220	4070	3.9
1015B-P-2W									
1015B-P-4W									
1015B-P-7W									
1015C	6B(150A)×1	6B(150A)×1	2B(50A)×1	2B(50A)×1	1B(25A)×1	1B(25A)×1	1300	4150	3.9
1015C-P-2W									
1015C-P-4W									
1015C-P-7W									
1015D	4B(100A)×2	6B(150A)×1	2B(50A)×1	2B(50A)×1	1B(25A)×1	1B(25A)×1	1220	4070	3.9
1015D-P-2W									
1015D-P-4W									
1015D-P-7W									
1015E	4B(100A)×2	6B(150A)×1	2B(50A)×1	2B(50A)×1	1B(25A)×1	1B(25A)×1	1220	4070	3.9
1015E-P-2W									
1015E-P-4W									
1015E-P-7W									
1017B	5B(125A)×2	6B(150A)×1	2B(50A)×1	2B(50A)×1	1B(25A)×1	1B(25A)×1	1340	4390	4.1
1017B-P-2W									
1017B-P-4W									
1017B-P-7W									
1017C	6B(150A)×1	6B(150A)×1	2B(50A)×1	2B(50A)×1	1B(25A)×1	1B(25A)×1	1450	4500	4.1
1017C-P-2W									
1017C-P-4W									
1017C-P-7W									
1017D	5B(125A)×2	6B(150A)×1	2B(50A)×1	2B(50A)×1	1B(25A)×1	1B(25A)×1	1340	4390	4.1
1017D-P-2W									
1017D-P-4W									
1017D-P-7W									
1017E	5B(125A)×2	6B(150A)×1	2B(50A)×1	2B(50A)×1	1B(25A)×1	1B(25A)×1	1340	4390	4.1
1017E-P-2W									
1017E-P-4W									
1017E-P-7W									
1020B	5B(125A)×2	8B(200A)×1	2B(50A)×1	2B(50A)×1	1 1/4B(32A)×1	1 1/4B(32A)×1	1420	4590	4.1
1020B-P-2W									
1020B-P-4W									
1020B-P-7W									

Tower Model U-LC-	Pipe Connections						Approximate		Tower Head*2 (M)
	Inlet	Outlet	Drain	Over Flow	Auto Filler	Quick Filler	Dry Wt. (kg)	Operating Wt. (kg)	
	(I)	(C)	(D)	(O)	(A)	(M)			
1020C	8B(200A)×1	8B(200A)×1	2B(50A)×1	2B(50A)×1	1 1/4B(32A)×1	1 1/4B(32A)×1	1530	4700	4.1
1020C-P-2W									
1020C-P-4W									
1020C-P-7W									
1020D	5B(125A)×2	8B(200A)×1	2B(50A)×1	2B(50A)×1	1 1/4B(32A)×1	1 1/4B(32A)×1	1420	4590	4.1
1020D-P-2W									
1020D-P-4W									
1020D-P-7W									
1020E	5B(125A)×2	8B(200A)×1	2B(50A)×1	2B(50A)×1	1 1/4B(32A)×1	1 1/4B(32A)×1	1420	4590	4.1
1020E-P-2W									
1020E-P-4W									
1020E-P-7W									
1022B	5B(125A)×2	8B(200A)×1	2B(50A)×1	2B(50A)×1	1 1/4B(32A)×1	1 1/4B(32A)×1	1540	5090	4.1
1022B-P-2W									
1022B-P-4W									
1022B-P-7W									
1022C	8B(200A)×1	8B(200A)×1	2B(50A)×1	2B(50A)×1	1 1/4B(32A)×1	1 1/4B(32A)×1	1650	5200	4.1
1022C-P-2W									
1022C-P-4W									
1022C-P-7W									
1022D	5B(125A)×2	8B(200A)×1	2B(50A)×1	2B(50A)×1	1 1/4B(32A)×1	1 1/4B(32A)×1	1540	5090	4.1
1022D-P-2W									
1022D-P-4W									
1022D-P-7W									
1022E	5B(125A)×2	8B(200A)×1	2B(50A)×1	2B(50A)×1	1 1/4B(32A)×1	1 1/4B(32A)×1	1540	5090	4.1
1022E-P-2W									
1022E-P-4W									
1022E-P-7W									
1025B	5B(125A)×2	8B(200A)×1	2B(50A)×1	2B(50A)×1	1 1/4B(32A)×1	1 1/4B(32A)×1	1540	5090	4.1
1025B-P-2W									
1025B-P-4W									
1025B-P-7W									
1025C	8B(200A)×1	8B(200A)×1	2B(50A)×1	2B(50A)×1	1 1/4B(32A)×1	1 1/4B(32A)×1	1650	5200	4.1
1025C-P-2W									
1025C-P-4W									
1025C-P-7W									
1025D	5B(125A)×2	8B(200A)×1	2B(50A)×1	2B(50A)×1	1 1/4B(32A)×1	1 1/4B(32A)×1	1540	5090	4.1
1025D-P-2W									
1025D-P-4W									
1025D-P-7W									
1025E	5B(125A)×2	8B(200A)×1	2B(50A)×1	2B(50A)×1	1 1/4B(32A)×1	1 1/4B(32A)×1	1540	5090	4.1
1025E-P-2W									
1025E-P-4W									
1025E-P-7W									
1030A	5B(125A)×2	8B(200A)×1	2B(50A)×1	2B(50A)×1	1 1/4B(32A)×1	1 1/4B(32A)×1	1820	6170	4.6
1030A-P-2W									
1030A-P-4W									
1030A-P-7W									

Tower Model U-LC-	Pipe Connections						Approximate		Tower Head*2 (M)
	Inlet	Outlet	Drain	Over Flow	Auto Filler	Quick Filler	Dry Wt. (kg)	Operating Wt. (kg)	
	(I)	(C)	(D)	(O)	(A)	(M)			
1030B	5B(125A)x2	8B(200A)x1	2B(50A)x1	2B(50A)x1	1 1/4B(32A)x1	1 1/4B(32A)x1	1820	6170	4.6
1030B-P-2W									
1030B-P-4W									
1030B-P-7W									
1030C	8B(200A)x1	8B(200A)x1	2B(50A)x1	2B(50A)x1	1 1/4B(32A)x1	1 1/4B(32A)x1	1950	6300	4.6
1030C-P-2W									
1030C-P-4W									
1030C-P-7W									
1030D	5B(125A)x2	8B(200A)x1	2B(50A)x1	2B(50A)x1	1 1/4B(32A)x1	1 1/4B(32A)x1	1820	6170	4.6
1030D-P-2W									
1030D-P-4W									
1030D-P-7W									
1030E	5B(125A)x2	8B(200A)x1	2B(50A)x1	2B(50A)x1	1 1/4B(32A)x1	1 1/4B(32A)x1	1820	6170	4.6
1030E-P-2W									
1030E-P-4W									
1030E-P-7W									
1035A	5B(125A)x2	8B(200A)x1	2B(50A)x1	2B(50A)x1	1 1/4B(32A)x1	1 1/4B(32A)x1	1960	6560	4.6
1035A-P-2W									
1035A-P-4W									
1035A-P-7W									
1035B	5B(125A)x2	8B(200A)x1	2B(50A)x1	2B(50A)x1	1 1/4B(32A)x1	1 1/4B(32A)x1	1960	6560	4.6
1035B-P-2W									
1035B-P-4W									
1035B-P-7W									
1035C	8B(200A)x1	8B(200A)x1	2B(50A)x1	2B(50A)x1	1 1/4B(32A)x1	1 1/4B(32A)x1	2100	6700	4.6
1035C-P-2W									
1035C-P-4W									
1035C-P-7W									
1035D	5B(125A)x2	8B(200A)x1	2B(50A)x1	2B(50A)x1	1 1/4B(32A)x1	1 1/4B(32A)x1	1960	6560	4.6
1035D-P-2W									
1035D-P-4W									
1035D-P-7W									
1035E	5B(125A)x2	8B(200A)x1	2B(50A)x1	2B(50A)x1	1 1/4B(32A)x1	1 1/4B(32A)x1	1960	6560	4.6
1035E-P-2W									
1035E-P-4W									
1035E-P-7W									
1040A	5B(125A) x4	10B(250A)x1	2B(50A)x1	2B(50A)x1	2B(50A)x1	2B(50A)x1	2120	7570	5.1
1040A-P-2W									
1040A-P-4W									
1040A-P-7W									
1040B	5B(125A) x4	10B(250A)x1	2B(50A)x1	2B(50A)x1	2B(50A)x1	2B(50A)x1	2120	7570	5.1
1040B-P-2W									
1040B-P-4W									
1040B-P-7W									
1040C	10B(250A)x1	10B(250A)x1	2B(50A)x1	2B(50A)x1	2B(50A)x1	2B(50A)x1	2350	7800	5.1
1040C-P-2W									
1040C-P-4W									
1040C-P-7W									

Tower Model U-LC-	Pipe Connections						Approximate		Tower Head*2 (M)
	Inlet	Outlet	Drain	Over Flow	Auto Filler	Quick Filler	Dry Wt. (kg)	Operating Wt. (kg)	
	(I)	(C)	(D)	(O)	(A)	(M)			
1040D	5B(125A) x4	10B(250A)×1	2B(50A)×1	2B(50A)×1	2B(50A)×1	2B(50A)×1	2120	7570	5.1
1040D-P-2W									
1040D-P-4W									
1040D-P-7W									
1040E	5B(125A) x4	10B(250A)×1	2B(50A)×1	2B(50A)×1	2B(50A)×1	2B(50A)×1	2120	7570	5.1
1040E-P-2W									
1040E-P-4W									
1040E-P-7W									
1045A	5B(125A) x4	10B(250A)×1	2B(50A)×1	2B(50A)×1	2B(50A)×1	2B(50A)×1	2360	8760	5.1
1045A-P-2W									
1045A-P-4W									
1045A-P-7W									
1045B	5B(125A) x4	10B(250A)×1	2B(50A)×1	2B(50A)×1	2B(50A)×1	2B(50A)×1	2360	8760	5.1
1045B-P-2W									
1045B-P-4W									
1045B-P-7W									
1045C	10B(250A)×1	10B(250A)×1	2B(50A)×1	2B(50A)×1	2B(50A)×1	2B(50A)×1	2600	9000	5.1
1045C-P-2W									
1045C-P-4W									
1045C-P-7W									
1045D	5B(125A) x4	10B(250A)×1	2B(50A)×1	2B(50A)×1	2B(50A)×1	2B(50A)×1	2360	8760	5.1
1045D-P-2W									
1045D-P-4W									
1045D-P-7W									
1045E	5B(125A) x4	10B(250A)×1	2B(50A)×1	2B(50A)×1	2B(50A)×1	2B(50A)×1	2360	8760	5.1
1045E-P-2W									
1045E-P-4W									
1045E-P-7W									
1050A	5B(125A) x4	10B(250A)×1	2B(50A)×1	2B(50A)×1	2B(50A)×1	2B(50A)×1	2710	10160	5.1
1050A-P-2W									
1050A-P-4W									
1050A-P-7W									
1050B	5B(125A) x4	10B(250A)×1	2B(50A)×1	2B(50A)×1	2B(50A)×1	2B(50A)×1	2710	10160	5.1
1050B-P-2W									
1050B-P-4W									
1050B-P-7W									
1050C	10B(250A)×1	10B(250A)×1	2B(50A)×1	2B(50A)×1	2B(50A)×1	2B(50A)×1	2950	10400	5.1
1050C-P-2W									
1050C-P-4W									
1050C-P-7W									
1050D	5B(125A) x4	10B(250A)×1	2B(50A)×1	2B(50A)×1	2B(50A)×1	2B(50A)×1	2710	10160	5.1
1050D-P-2W									
1050D-P-4W									
1050D-P-7W									
1050E	5B(125A) x4	10B(250A)×1	2B(50A)×1	2B(50A)×1	2B(50A)×1	2B(50A)×1	2710	10160	5.1
1050E-P-2W									
1050E-P-4W									
1050E-P-7W									

Tower Model U-LC-	Nominal Ton*1	Nomin-al Water Flow (L/S)	Dimensions (mm)				Fan Dia. (mm)	Fan Motor (HP)
			Width	Length	Height			
			W	L	h	H		
1060A	380	82.3	6300	3900	5430	6050	2970	7 1/2x 1
1060A-P-2W	253	54.8						
1060A-P-4W	304	65.9						
1060A-P-7W	333	72.2						
1060B	408	88.4	6300	3900	5430	6050	2970	10 x 1
1060B-P-2W	272	58.9						
1060B-P-4W	326	70.6						
1060B-P-7W	357	77.4						
1060C	466	101.0	6300	3900	5430	6050	2970	15 x 1
1060C-P-2W	311	67.4						
1060C-P-4W	373	80.8						
1060C-P-7W	408	88.4						
1060D	520	112.7	6300	3900	5430	6050	2970	20 x 1
1060D-P-2W	347	75.2						
1060D-P-4W	416	90.1						
1060D-P-7W	455	98.6						
1060E	564	122.2	6300	3900	5430	6050	2970	25 x 1
1060E-P-2W	376	81.5						
1060E-P-4W	451	97.7						
1060E-P-7W	494	107.0						
1070A	430	93.2	6700	3900	5430	6250	3380	10 x 1
1070A-P-2W	287	62.2						
1070A-P-4W	344	74.5						
1070A-P-7W	376	81.5						
1070B	489	106.0	6700	3900	5430	6250	3380	15 x 1
1070B-P-2W	326	70.6						
1070B-P-4W	391	84.7						
1070B-P-7W	428	92.7						
1070C	552	119.6	6700	3900	5430	6250	3380	20 x 1
1070C-P-2W	368	79.7						
1070C-P-4W	442	95.8						
1070C-P-7W	483	104.7						
1070D	562	121.8	6700	3900	5430	6250	3380	25 x 1
1070D-P-2W	375	81.3						
1070D-P-4W	450	97.5						
1070D-P-7W	492	106.6						
1070E	594	128.7	6700	3900	5430	6250	3380	30 x 1
1070E-P-2W	396	85.8						
1070E-P-4W	475	102.9						
1070E-P-7W	520	112.7						
1080A	515	111.6	6700	4700	5430	6250	3380	15 x 1
1080A-P-2W	344	74.5						
1080A-P-4W	412	89.3						
1080A-P-7W	451	97.7						
1080B	563	122.0	6700	4700	5430	6250	3380	20 x 1
1080B-P-2W	376	81.5						
1080B-P-4W	450	97.5						
1080B-P-7W	493	106.8						
1080C	622	134.8	6700	4700	5430	6250	3380	25 x 1
1080C-P-2W	415	89.9						
1080C-P-4W	498	107.9						
1080C-P-7W	544	117.9						
1080D	653	141.5	6700	4700	5430	6250	3380	30 x 1
1080D-P-2W	436	94.5						
1080D-P-4W	522	113.1						
1080D-P-7W	571	123.7						
1080E	714	154.7	6700	4700	5430	6250	3380	40 x 1
1080E-P-2W	476	103.1						
1080E-P-4W	571	123.7						
1080E-P-7W	625	135.4						

Tower Model U-LC-	Nominal Ton*1	Nomin-al Water Flow (L/S)	Dimensions (mm)				Fan Dia. (mm)	Fan Motor (HP)
			Width	Length	Height			
			W	L	h	H		
1090A	641	138.9	6900	5100	5430	6250	3580	20 x 1
1090A-P-2W	428	92.7						
1090A-P-4W	513	111.2						
1090A-P-7W	561	121.6						
1090B	673	145.8	6900	5100	5430	6250	3580	25 x 1
1090B-P-2W	449	97.3						
1090B-P-4W	538	116.6						
1090B-P-7W	589	127.6						
1090C	720	156.0	6900	5100	5430	6250	3580	30 x 1
1090C-P-2W	480	104.0						
1090C-P-4W	576	124.8						
1090C-P-7W	630	136.5						
1090D	799	173.1	6900	5100	5430	6250	3580	40 x 1
1090D-P-2W	533	115.5						
1090D-P-4W	639	138.5						
1090D-P-7W	699	151.5						
1090E	847	183.5	6900	5100	5430	6250	3580	50 x 1
1090E-P-2W	565	122.4						
1090E-P-4W	678	146.9						
1090E-P-7W	741	160.6						
1100A	677	146.7	6900	5700	5430	6250	3580	20 x 1
1100A-P-2W	452	97.9						
1100A-P-4W	542	117.4						
1100A-P-7W	592	128.3						
1100B	700	151.7	6900	5700	5430	6250	3580	25 x 1
1100B-P-2W	467	101.2						
1100B-P-4W	560	121.3						
1100B-P-7W	613	132.8						
1100C	748	162.1	6900	5700	5430	6250	3580	30 x 1
1100C-P-2W	499	108.1						
1100C-P-4W	598	129.6						
1100C-P-7W	655	141.9						
1100D	851	184.4	6900	5700	5430	6250	3580	40 x 1
1100D-P-2W	568	123.1						
1100D-P-4W	681	147.6						
1100D-P-7W	745	161.4						
1100E	912	197.6	6900	5700	5430	6250	3580	50 x 1
1100E-P-2W	608	131.7						
1100E-P-4W	730	158.2						
1100E-P-7W	798	172.9						

Tower Model U-LC-	Pipe Connections						Approximate		Tower Head*2 (M)
	Inlet	Outlet	Drain	Over Flow	Auto Filler	Quick Filler	Dry Wt. (kg)	Operating Wt.(kg)	
	(I)	(C)	(D)	(O)	(A)	(M)			
1060A	6B(150A) x4	8B(200A) x2	2B(50A) x2	2B(50A) x2	1 1/4B(32A) x2	1 1/4B(32A) x2	3430	12530	5.6
1060A-P-2W									
1060A-P-4W									
1060A-P-7W									
1060B	6B(150A) x4	8B(200A) x2	2B(50A) x2	2B(50A) x2	1 1/4B(32A) x2	1 1/4B(32A) x2	3430	12530	5.6
1060B-P-2W									
1060B-P-4W									
1060B-P-7W									
1060C	8B(200A) x2	8B(200A) x2	2B(50A) x2	2B(50A) x2	1 1/4B(32A) x2	1 1/4B(32A) x2	3700	12800	5.6
1060C-P-2W									
1060C-P-4W									
1060C-P-7W									
1060D	6B(150A) x4	8B(200A) x2	2B(50A) x2	2B(50A) x2	1 1/4B(32A) x2	1 1/4B(32A) x2	3430	12530	5.6
1060D-P-2W									
1060D-P-4W									
1060D-P-7W									
1060E	6B(150A) x4	8B(200A) x2	2B(50A) x2	2B(50A) x2	1 1/4B(32A) x2	1 1/4B(32A) x2	3430	12530	5.6
1060E-P-2W									
1060E-P-4W									
1060E-P-7W									
1070A	6B(150A) x4	8B(200A) x2	2B(50A) x2	2B(50A) x2	1 1/4B(32A) x2	1 1/4B(32A) x2	3630	12830	5.6
1070A-P-2W									
1070A-P-4W									
1070A-P-7W									
1070B	6B(150A) x4	8B(200A) x2	2B(50A) x2	2B(50A) x2	1 1/4B(32A) x2	1 1/4B(32A) x2	3630	12830	5.6
1070B-P-2W									
1070B-P-4W									
1070B-P-7W									
1070C	8B(200A) x2	8B(200A) x2	2B(50A) x2	2B(50A) x2	1 1/4B(32A) x2	1 1/4B(32A) x2	3900	13100	5.6
1070C-P-2W									
1070C-P-4W									
1070C-P-7W									
1070D	6B(150A) x4	8B(200A) x2	2B(50A) x2	2B(50A) x2	1 1/4B(32A) x2	1 1/4B(32A) x2	3630	12830	5.6
1070D-P-2W									
1070D-P-4W									
1070D-P-7W									
1070E	6B(150A) x4	8B(200A) x2	2B(50A) x2	2B(50A) x2	1 1/4B(32A) x2	1 1/4B(32A) x2	3630	12830	5.6
1070E-P-2W									
1070E-P-4W									
1070E-P-7W									
1080A	6B(150A) x4	10B(250A) x2	2B(50A) x2	2B(50A) x2	2B(50A) x2	2B(50A) x2	4490	15590	5.6
1080A-P-2W									
1080A-P-4W									
1080A-P-7W									
1080B	6B(150A) x4	10B(250A) x2	2B(50A) x2	2B(50A) x2	2B(50A) x2	2B(50A) x2	4490	15590	5.6
1080B-P-2W									
1080B-P-4W									
1080B-P-7W									
1080C	10B(250A)x2	10B(250A) x2	2B(50A) x2	2B(50A) x2	2B(50A) x2	2B(50A) x2	4800	15900	5.6
1080C-P-2W									
1080C-P-4W									
1080C-P-7W									
1080D	6B(150A) x4	10B(250A) x2	2B(50A) x2	2B(50A) x2	2B(50A) x2	2B(50A) x2	4490	15590	5.6
1080D-P-2W									
1080D-P-4W									
1080D-P-7W									
1080E	6B(150A) x4	10B(250A) x2	2B(50A) x2	2B(50A) x2	2B(50A) x2	2B(50A) x2	4490	15590	5.6
1080E-P-2W									
1080E-P-4W									
1080E-P-7W									

Tower Model U-LC-	Pipe Connections						Approximate		Tower Head*2 (M)
	Inlet	Outlet	Drain	Over Flow	Auto Filler	Quick Filler	Dry Wt. (kg)	Operating Wt.(kg)	
	(I)	(C)	(D)	(O)	(A)	(M)			
1090A	6B(150A) x4	10B(250A) x2	2B(50A) x2	2B(50A) x2	2B(50A) x2	2B(50A) x2	5090	17390	5.6
1090A-P-2W									
1090A-P-4W									
1090A-P-7W									
1090B	6B(150A) x4	10B(250A) x2	2B(50A) x2	2B(50A) x2	2B(50A) x2	2B(50A) x2	5090	17390	5.6
1090B-P-2W									
1090B-P-4W									
1090B-P-7W									
1090C	10B(250A) x2	10B(250A) x2	2B(50A) x2	2B(50A) x2	2B(50A) x2	2B(50A) x2	5400	17700	5.6
1090C-P-2W									
1090C-P-4W									
1090C-P-7W									
1090D	6B(150A) x4	10B(250A) x2	2B(50A) x2	2B(50A) x2	2B(50A) x2	2B(50A) x2	5090	17390	5.6
1090D-P-2W									
1090D-P-4W									
1090D-P-7W									
1090E	6B(150A) x4	10B(250A) x2	2B(50A) x2	2B(50A) x2	2B(50A) x2	2B(50A) x2	5090	17390	5.6
1090E-P-2W									
1090E-P-4W									
1090E-P-7W									
1100A	6B(150A) x4	10B(250A) x2	2B(50A) x2	2B(50A) x2	2B(50A) x2	2B(50A) x2	5790	19590	5.6
1100A-P-2W									
1100A-P-4W									
1100A-P-7W									
1100B	6B(150A) x4	10B(250A) x2	2B(50A) x2	2B(50A) x2	2B(50A) x2	2B(50A) x2	5790	19590	5.6
1100B-P-2W									
1100B-P-4W									
1100B-P-7W									
1100C	10B(250A) x2	10B(250A) x2	2B(50A) x2	2B(50A) x2	2B(50A) x2	2B(50A) x2	6100	19900	5.6
1100C-P-2W									
1100C-P-4W									
1100C-P-7W									
1100D	6B(150A) x4	10B(250A) x2	2B(50A) x2	2B(50A) x2	2B(50A) x2	2B(50A) x2	5790	19590	5.6
1100D-P-2W									
1100D-P-4W									
1100D-P-7W									
1100E	6B(150A) x4	10B(250A) x2	2B(50A) x2	2B(50A) x2	2B(50A) x2	2B(50A) x2	5790	19590	5.6
1100E-P-2W									
1100E-P-4W									
1100E-P-7W									

1. Nominal Tons are defined as the capacity that can deal with 13 lpm of water per ton, cooled from 37°C to 32°C with a 27°C entering wet bulb temperature.
2. Total pump head required for cooling water circulation pump is the sum of condenser water pressure drop, piping friction loss and tower head.
3. All dimensions are in millimeters. Weights are in kilograms.
4. Multiple cell models of the single cell models above are also available but not listed. For more information, please contact your local supplier or distributor.



STD-201RS Table 3b - SI Units - Cooling Towers (CT)

Condition Reference #	1	2	3	4	5	6	7	8	9	10
Wet Bulb °C	10	10	10	10	10	13	13	13	13	13
Range °C	6	6	6	8	8	6	6	6	8	8
Approach °C	4	6	7	4	7	4	6	7	4	7
Inlet Water Temperature °C	20	22	23	22	25	23	25	26	25	28
Outlet Water Temperature °C	14	16	17	14	17	17	19	20	17	20
	L/S									
U-LC-1010C	5	7.9	9.4	4	7.3	5.9	9.1	10.9	4.7	8.6
U-LC-1010C-P-2W	3.4	5.3	6.3	2.7	4.9	4	6.1	7.3	3.2	5.8
U-LC-1010C-P-4W	4	6.3	7.5	3.2	5.9	4.7	7.3	8.7	3.8	6.9
U-LC-1010C-P-7W	4.4	6.8	8.2	3.5	6.4	5.1	8	9.5	4.1	7.5
U-LC-1012C	5.7	9	10.8	4.5	8.4	6.7	10.5	12.6	5.3	9.8
U-LC-1012C-P-2W	3.8	6	7.2	3	5.6	4.5	7	8.4	3.5	6.5
U-LC-1012C-P-4W	4.6	7.2	8.6	3.6	6.7	5.3	8.4	10.1	4.2	7.8
U-LC-1012C-P-7W	5	7.9	9.5	4	7.4	5.9	9.2	11.1	4.7	8.6
U-LC-1012D	7.4	11.1	13.1	6	10.4	8.6	12.8	15.1	7	12
U-LC-1012D-P-2W	4.9	7.4	8.7	4	6.9	5.7	8.5	10	4.6	8
U-LC-1012D-P-4W	5.9	8.8	10.4	4.8	8.3	6.8	10.2	12	5.5	9.6
U-LC-1012D-P-7W	6.5	9.7	11.5	5.3	9.2	7.5	11.2	13.2	6.1	10.5
U-LC-1015B	5	8.2	10.1	3.8	7.6	5.9	9.7	11.9	4.6	9
U-LC-1015B-P-2W	3.3	5.4	6.7	2.5	5	3.9	6.5	7.9	3	6
U-LC-1015B-P-4W	3.9	6.5	8	3	6	4.7	7.7	9.5	3.6	7.2
U-LC-1015B-P-7W	4.4	7.2	8.8	3.3	6.7	5.2	8.6	10.5	4	7.9
U-LC-1015C	6.5	10.4	12.5	5.1	9.6	7.7	12.1	14.6	6	11.3
U-LC-1015C-P-2W	4.3	6.9	8.3	3.4	6.4	5.1	8	9.7	4	7.5
U-LC-1015C-P-4W	5.2	8.3	10	4.1	7.7	6.2	9.7	11.7	4.9	9.1
U-LC-1015C-P-7W	5.7	9.1	11	4.5	8.5	6.8	10.7	12.9	5.3	10
U-LC-1015D	8	12.4	14.8	6.4	11.6	9.4	14.4	17.2	7.5	13.5
U-LC-1015D-P-2W	5.4	8.3	9.9	4.3	7.8	6.3	9.7	11.5	5	9.1
U-LC-1015D-P-4W	6.4	9.9	11.8	5.1	9.2	7.5	11.5	13.7	6	10.8
U-LC-1015D-P-7W	7	10.8	12.9	5.6	10.1	8.2	12.6	15	6.5	11.8
U-LC-1015E	9.2	13.9	16.5	7.4	13	10.6	16.1	19	8.6	15.1
U-LC-1015E-P-2W	6.1	9.3	11	4.9	8.7	7.1	10.8	12.7	5.7	10.1
U-LC-1015E-P-4W	7.3	11.1	13.2	5.9	10.4	8.5	12.8	15.2	6.9	12.1
U-LC-1015E-P-7W	8	12.2	14.5	6.5	11.4	9.3	14.1	16.7	7.5	13.2
U-LC-1017B	6.6	10.7	13	5.1	9.9	7.8	12.6	15.3	6.1	11.8
U-LC-1017B-P-2W	4.4	7.1	8.7	3.4	6.6	5.2	8.4	10.2	4	7.8
U-LC-1017B-P-4W	5.2	8.5	10.3	4	7.9	6.2	10	12.2	4.8	9.4
U-LC-1017B-P-7W	5.8	9.4	11.4	4.5	8.7	6.9	11.1	13.4	5.3	10.3
U-LC-1017C	8.5	13.5	16.2	6.7	12.6	10	15.7	18.9	7.9	14.8
U-LC-1017C-P-2W	5.7	9	10.8	4.5	8.4	6.7	10.5	12.6	5.3	9.9
U-LC-1017C-P-4W	6.8	10.7	12.9	5.3	10	8	12.5	15	6.3	11.8
U-LC-1017C-P-7W	7.5	11.8	14.2	5.9	11.1	8.8	13.8	16.6	7	13
U-LC-1017D	10.3	15.8	18.8	8.2	14.8	12	18.3	21.8	9.6	17.3
U-LC-1017D-P-2W	6.8	10.5	12.5	5.5	9.8	8	12.2	14.5	6.4	11.5
U-LC-1017D-P-4W	8.3	12.7	15.1	6.6	11.9	9.6	14.7	17.5	7.8	13.9
U-LC-1017D-P-7W	9	13.8	16.4	7.2	12.9	10.5	16	19	8.4	15.1
U-LC-1017E	12.1	18.3	21.6	9.8	17.2	14.1	21.1	24.9	11.4	19.9
U-LC-1017E-P-2W	8.1	12.2	14.4	6.5	11.4	9.3	14	16.6	7.6	13.2
U-LC-1017E-P-4W	9.7	14.6	17.2	7.8	13.7	11.2	16.8	19.9	9.1	15.9
U-LC-1017E-P-7W	10.7	16.1	19	8.6	15.1	12.4	18.5	21.9	10	17.5
U-LC-1020B	10.5	15.3	17.9	8.7	14.5	12	17.5	20.4	10	16.6
U-LC-1020B-P-2W	7	10.2	11.9	5.8	9.6	8	11.6	13.5	6.6	11
U-LC-1020B-P-4W	8.4	12.2	14.3	7	11.6	9.6	13.9	16.3	8	13.2
U-LC-1020B-P-7W	9.2	13.4	15.6	7.6	12.6	10.5	15.2	17.8	8.7	14.4
U-LC-1020C	12	17.4	20.4	9.9	16.5	13.7	19.9	23.2	11.3	18.9
U-LC-1020C-P-2W	7.9	11.6	13.5	6.6	10.9	9.1	13.2	15.4	7.5	12.5
U-LC-1020C-P-4W	9.6	13.9	16.3	7.9	13.2	10.9	15.9	18.6	9.1	15.1
U-LC-1020C-P-7W	10.5	15.3	17.9	8.7	14.4	12	17.4	20.4	9.9	16.5
U-LC-1020D	13.3	19.3	22.5	11	18.3	15.2	22	25.7	12.6	20.9
U-LC-1020D-P-2W	8.9	12.9	15.1	7.4	12.2	10.2	14.7	17.2	8.4	13.9
U-LC-1020D-P-4W	10.7	15.5	18.1	8.9	14.7	12.2	17.7	20.6	10.1	16.7
U-LC-1020D-P-7W	11.7	16.9	19.8	9.7	16	13.3	19.3	22.5	11.1	18.3
U-LC-1020E	15.5	22.3	25.8	13	21.1	17.6	25.2	29.3	14.8	24
U-LC-1020E-P-2W	10.4	14.9	17.3	8.7	14.1	11.8	16.9	19.6	9.9	16
U-LC-1020E-P-4W	12.5	17.8	20.7	10.4	16.9	14.1	20.2	23.5	11.8	19.2
U-LC-1020E-P-7W	13.6	19.5	22.7	11.4	18.5	15.5	22.1	25.7	12.9	21
U-LC-1022B	11.9	17.5	20.5	9.8	16.5	13.7	20	23.5	11.3	19
U-LC-1022B-P-2W	7.9	11.6	13.6	6.5	11	9.1	13.3	15.6	7.5	12.6
U-LC-1022B-P-4W	9.5	14	16.4	7.8	13.2	10.9	16	18.7	9	15.1
U-LC-1022B-P-7W	10.4	15.3	17.9	8.6	14.4	11.9	17.5	20.5	9.8	16.6
U-LC-1022C	15.1	21.7	25.2	12.6	20.6	17.2	24.7	28.7	14.4	23.5
U-LC-1022C-P-2W	10.1	14.5	16.8	8.4	13.7	11.5	16.5	19.1	9.6	15.7
U-LC-1022C-P-4W	12.2	17.4	20.2	10.1	16.5	13.8	19.8	23	11.6	18.8
U-LC-1022C-P-7W	13.2	19	22.1	11	18	15.1	21.6	25.1	12.6	20.5
U-LC-1022D	17.6	24.8	28.6	14.9	23.6	19.9	28	32.3	16.8	26.7
U-LC-1022D-P-2W	11.8	16.6	19.1	9.9	15.8	13.3	18.7	21.6	11.3	17.9
U-LC-1022D-P-4W	14.1	19.8	22.8	11.9	18.9	15.9	22.4	25.8	13.4	21.3
U-LC-1022D-P-7W	15.4	21.7	25	13	20.6	17.4	24.5	28.2	14.7	23.3
U-LC-1022E	21.3	29.4	33.6	18.2	28	23.9	32.9	37.7	20.4	31.5
U-LC-1022E-P-2W	14.2	19.6	22.4	12.1	18.7	15.9	22	25.2	13.6	21.1

STD-201RS Table 3b - SI Units - Cooling Towers (CT)

Condition Reference #	1	2	3	4	5	6	7	8	9	10
Wet Bulb °C	10	10	10	10	10	13	13	13	13	13
Range °C	6	6	6	8	8	6	6	6	8	8
Approach °C	4	6	7	4	7	4	6	7	4	7
Inlet Water Temperature °C	20	22	23	22	25	23	25	26	25	28
Outlet Water Temperature °C	14	16	17	14	17	17	19	20	17	20
	L/S									
U-LC-1022E-P-4W	17.1	23.5	26.9	14.6	22.5	19.1	26.4	30.2	16.4	25.3
U-LC-1022E-P-7W	18.6	25.7	29.4	15.9	24.5	20.8	28.8	33	17.8	27.5
U-LC-1025B	15.1	21.7	25.2	12.6	20.6	17.2	24.7	28.7	14.4	23.5
U-LC-1025B-P-2W	10.1	14.5	16.8	8.4	13.7	11.5	16.5	19.1	9.6	15.7
U-LC-1025B-P-4W	12.2	17.4	20.2	10.1	16.5	13.8	19.8	23	11.6	18.8
U-LC-1025B-P-7W	13.2	19	22.1	11	18	15.1	21.6	25.1	12.6	20.5
U-LC-1025C	17.6	24.8	28.6	14.9	23.6	19.9	28	32.3	16.8	26.7
U-LC-1025C-P-2W	11.8	16.6	19.1	9.9	15.8	13.3	18.7	21.6	11.3	17.9
U-LC-1025C-P-4W	14.1	19.8	22.8	11.9	18.9	15.9	22.4	25.8	13.4	21.3
U-LC-1025C-P-7W	15.4	21.7	25	13	20.6	17.4	24.5	28.2	14.7	23.3
U-LC-1025D	21.3	29.4	33.6	18.2	28	23.9	32.9	37.7	20.4	31.5
U-LC-1025D-P-2W	14.2	19.6	22.4	12.1	18.7	15.9	22	25.2	13.6	21.1
U-LC-1025D-P-4W	17.1	23.5	26.9	14.6	22.5	19.1	26.4	30.2	16.4	25.3
U-LC-1025D-P-7W	18.6	25.7	29.4	15.9	24.5	20.8	28.8	33	17.8	27.5
U-LC-1025E	24.1	32.9	37.5	20.7	31.5	26.9	36.8	42	23.1	35.2
U-LC-1025E-P-2W	16.1	21.9	25	13.8	21	17.9	24.5	28	15.4	23.5
U-LC-1025E-P-4W	19.2	26.3	30	16.5	25.1	21.5	29.4	33.5	18.5	28.1
U-LC-1025E-P-7W	21.1	28.8	32.8	18.1	27.5	23.5	32.2	36.7	20.2	30.8
U-LC-1030A	13.3	19.5	22.9	11	18.4	15.2	22.2	26.1	12.5	21
U-LC-1030A-P-2W	8.8	13	15.2	7.3	12.2	10.1	14.8	17.3	8.3	13.9
U-LC-1030A-P-4W	10.7	15.6	18.3	8.8	14.7	12.2	17.8	20.9	10	16.8
U-LC-1030A-P-7W	11.6	17	20	9.6	16	13.3	19.4	22.8	10.9	18.3
U-LC-1030B	15.9	22.9	26.7	13.2	21.6	18	26	30.4	15	24.6
U-LC-1030B-P-2W	10.6	15.3	17.8	8.8	14.4	12	17.4	20.2	10	16.4
U-LC-1030B-P-4W	12.7	18.3	21.4	10.5	17.3	14.4	20.8	24.3	12	19.7
U-LC-1030B-P-7W	13.9	20.1	23.4	11.6	19	15.8	22.8	26.6	13.1	21.6
U-LC-1030C	18	25.7	29.9	15	24.3	20.3	29.1	33.8	17	27.6
U-LC-1030C-P-2W	12	17.2	20	10	16.2	13.6	19.4	22.6	11.4	18.4
U-LC-1030C-P-4W	14.4	20.6	23.9	12	19.5	16.3	23.3	27.1	13.6	22.1
U-LC-1030C-P-7W	17.8	24	27.3	15.4	23.2	19.9	26.9	30.6	17.3	26
U-LC-1030D	21.5	30.4	35	18.1	28.8	24.2	34.2	39.5	20.4	32.4
U-LC-1030D-P-2W	14.4	20.3	23.4	12.1	19.2	16.2	22.8	26.4	13.6	21.7
U-LC-1030D-P-4W	17.3	24.3	28.1	14.5	23.1	19.4	27.4	31.6	16.4	26
U-LC-1030D-P-7W	18.8	26.5	30.6	15.8	25.1	21.2	29.9	34.5	17.8	28.3
U-LC-1030E	23.5	32.9	37.9	19.9	31.2	26.4	36.9	42.5	22.3	35.1
U-LC-1030E-P-2W	15.7	22	25.3	13.3	20.8	17.6	24.6	28.4	14.9	23.4
U-LC-1030E-P-4W	18.8	26.3	30.3	15.9	25	21.1	29.5	34	17.9	28.1
U-LC-1030E-P-7W	20.6	28.8	33.1	17.4	27.3	23.1	32.3	37.2	19.5	30.7
U-LC-1035A	17.2	24.3	28.2	14.4	23.1	19.4	27.5	31.8	16.3	26.1
U-LC-1035A-P-2W	11.5	16.3	18.8	9.6	15.4	12.9	18.4	21.3	10.9	17.4
U-LC-1035A-P-4W	13.7	19.5	22.6	11.5	18.5	15.5	22	25.5	13	20.9
U-LC-1035A-P-7W	15	21.3	24.7	12.6	20.2	17	24.1	27.9	14.3	22.9
U-LC-1035B	20.6	28.8	33.2	17.5	27.4	23.2	32.4	37.3	19.6	30.8
U-LC-1035B-P-2W	13.7	19.2	22.1	11.6	18.2	15.4	21.6	24.8	13.1	20.5
U-LC-1035B-P-4W	16.5	23.1	26.5	14	21.9	18.5	25.9	29.8	15.7	24.7
U-LC-1035B-P-7W	18.1	25.3	29.1	15.3	24	20.3	28.4	32.7	17.2	27
U-LC-1035C	23.5	32.4	37.1	20.1	30.9	26.3	36.2	41.5	22.4	34.6
U-LC-1035C-P-2W	15.7	21.6	24.7	13.4	20.6	17.5	24.2	27.7	14.9	23
U-LC-1035C-P-4W	18.8	25.9	29.7	16	24.7	21	29	33.2	17.9	27.7
U-LC-1035C-P-7W	20.5	28.3	32.4	17.5	27	22.9	31.7	36.3	19.6	30.2
U-LC-1035D	25.7	35.8	41.2	21.8	34.1	28.8	40.2	46.3	24.5	38.3
U-LC-1035D-P-2W	17.2	23.9	27.5	14.6	22.8	19.3	26.9	30.9	16.3	25.6
U-LC-1035D-P-4W	20.6	28.7	33	17.5	27.3	23.1	32.2	37.1	19.6	30.7
U-LC-1035D-P-7W	22.5	31.4	36.1	19.1	29.8	25.3	35.2	40.5	21.4	33.6
U-LC-1035E	27.2	38.4	44.4	22.9	36.4	30.7	43.3	50	25.8	41.2
U-LC-1035E-P-2W	18.1	25.6	29.5	15.2	24.2	20.4	28.8	33.3	17.2	27.4
U-LC-1035E-P-4W	21.7	30.7	35.4	18.3	29.1	24.5	34.6	40	20.6	32.9
U-LC-1035E-P-7W	23.8	33.6	38.8	20	31.9	26.8	37.9	43.8	22.6	36
U-LC-1040A	17.4	25	29.1	14.5	23.7	19.8	28.4	33	16.5	26.9
U-LC-1040A-P-2W	11.6	16.7	19.4	9.7	15.8	13.2	19	22.1	11	18
U-LC-1040A-P-4W	13.9	20	23.2	11.6	18.9	15.8	22.7	26.4	13.2	21.5
U-LC-1040A-P-7W	15.2	21.9	25.4	12.7	20.7	17.3	24.8	28.9	14.4	23.5
U-LC-1040B	20.8	29.5	34.1	17.5	28	23.5	33.3	38.6	19.8	31.7
U-LC-1040B-P-2W	13.9	19.7	22.8	11.7	18.7	15.7	22.3	25.8	13.2	21.2
U-LC-1040B-P-4W	16.6	23.6	27.3	14	22.4	18.8	26.6	30.8	15.8	25.3
U-LC-1040B-P-7W	18.2	25.8	29.9	15.3	24.5	20.6	29.2	33.8	17.3	27.8
U-LC-1040C	23.4	32.8	37.9	19.7	31.2	26.3	37	42.7	22.2	35.2
U-LC-1040C-P-2W	15.6	21.9	25.2	13.2	20.8	17.5	24.7	28.4	14.8	23.5
U-LC-1040C-P-4W	18.7	26.3	30.3	15.8	25	21	29.6	34.1	17.8	28.2
U-LC-1040C-P-7W	20.5	28.8	33.2	17.3	27.3	23.1	32.4	37.4	19.5	30.9
U-LC-1040D	27.2	37.8	43.4	23.1	36	30.5	42.5	48.8	25.9	40.5
U-LC-1040D-P-2W	18.1	25.2	29	15.4	24	20.3	28.3	32.5	17.3	27
U-LC-1040D-P-4W	21.8	30.2	34.7	18.5	28.8	24.4	33.9	39	20.7	32.4
U-LC-1040D-P-7W	23.8	33.1	38.1	20.2	31.5	26.7	37.2	42.7	22.7	35.5

STD-201RS Table 3b - SI Units - Cooling Towers (CT)

Condition Reference #	1	2	3	4	5	6	7	8	9	10
Wet Bulb °C	10	10	10	10	10	13	13	13	13	13
Range °C	6	6	6	8	8	6	6	6	8	8
Approach °C	4	6	7	4	7	4	6	7	4	7
Inlet Water Temperature °C	20	22	23	22	25	23	25	26	25	28
Outlet Water Temperature °C	14	16	17	14	17	17	19	20	17	20
	L/S									
U-LC-1040E	30.5	42.1	48.2	26	40.1	34.1	47.1	54	29.1	45
U-LC-1040E-P-2W	20.4	28.1	32.1	17.4	26.7	22.8	31.4	36	19.4	30
U-LC-1040E-P-4W	24.5	33.7	38.6	20.9	32.1	27.4	37.8	43.3	23.4	36.1
U-LC-1040E-P-7W	26.8	36.9	42.2	22.8	35.2	29.9	41.3	47.3	25.6	39.4
U-LC-1045A	23	33.3	38.9	19	31.5	26.2	37.9	44.2	21.7	35.9
U-LC-1045A-P-2W	15.4	22.3	26	12.7	21	17.5	25.3	29.5	14.5	24
U-LC-1045A-P-4W	18.4	26.7	31.1	15.3	25.2	21	30.4	35.5	17.4	28.8
U-LC-1045A-P-7W	20.1	29.2	34	16.7	27.6	22.9	33.2	38.7	19	31.5
U-LC-1045B	24.1	35.2	41.2	19.9	33.2	27.5	40.2	47	22.7	38
U-LC-1045B-P-2W	16.1	23.5	27.5	13.2	22.2	18.3	26.8	31.3	15.2	25.4
U-LC-1045B-P-4W	19.3	28.2	33	15.9	26.6	22	32.1	37.6	18.2	30.4
U-LC-1045B-P-7W	21.1	30.8	36.1	17.4	29.1	24.1	35.2	41.2	19.9	33.3
U-LC-1045C	26.3	38.7	45.4	21.6	36.5	30.1	44.2	51.9	24.8	41.8
U-LC-1045C-P-2W	17.5	25.7	30.2	14.4	24.3	20	29.4	34.5	16.5	27.9
U-LC-1045C-P-4W	21	30.9	36.2	17.3	29.1	24.1	35.3	41.4	19.8	33.4
U-LC-1045C-P-7W	23	33.8	39.7	18.9	31.9	26.3	38.7	45.4	21.7	36.6
U-LC-1045D	26.9	40.1	47.2	22	37.7	31	46	54.2	25.3	43.4
U-LC-1045D-P-2W	17.9	26.7	31.5	14.6	25.1	20.6	30.7	36.1	16.9	29
U-LC-1045D-P-4W	21.5	32.1	37.8	17.6	30.2	24.8	36.8	43.4	20.3	34.7
U-LC-1045D-P-7W	23.5	35	41.3	19.2	33	27.1	40.2	47.4	22.1	38
U-LC-1045E	31.4	45.1	52.4	26.2	42.6	35.6	51.1	59.4	29.7	48.5
U-LC-1045E-P-2W	21	30.1	35	17.5	28.5	23.8	34.1	39.7	19.8	32.3
U-LC-1045E-P-4W	25.2	36.1	42	21	34.2	28.5	40.9	47.6	23.8	38.8
U-LC-1045E-P-7W	27.5	39.5	45.9	22.9	37.4	31.2	44.8	52	26.1	42.4
U-LC-1050A	30.4	41.9	47.9	26	40	34.1	47	53.8	29.2	44.9
U-LC-1050A-P-2W	20.3	27.9	32	17.3	26.7	22.7	31.3	35.8	19.5	30
U-LC-1050A-P-4W	24.4	33.6	38.4	20.9	32.1	27.3	37.6	43.1	23.4	36
U-LC-1050A-P-7W	26.7	36.7	42	22.8	35.1	29.9	41.2	47.1	25.6	39.4
U-LC-1050B	31.9	44.2	50.7	27.2	42.2	35.9	49.7	57	30.6	47.5
U-LC-1050B-P-2W	21.3	29.5	33.9	18.2	28.2	23.9	33.2	38	20.4	31.7
U-LC-1050B-P-4W	25.6	35.4	40.6	21.8	33.8	28.7	39.8	45.6	24.5	38.1
U-LC-1050B-P-7W	27.9	38.7	44.3	23.8	36.9	31.3	43.4	49.8	26.7	41.5
U-LC-1050C	35.4	49.3	56.6	30	47	39.8	55.4	63.7	33.8	53
U-LC-1050C-P-2W	23.6	32.8	37.7	20	31.3	26.5	37	42.5	22.6	35.3
U-LC-1050C-P-4W	28.3	39.5	45.3	24.1	37.6	31.9	44.4	51	27.1	42.4
U-LC-1050C-P-7W	30.9	43.1	49.5	26.3	41.1	34.8	48.5	55.7	29.6	46.3
U-LC-1050D	37.9	53.1	61.1	32.1	50.6	42.7	59.9	68.9	36.3	57.2
U-LC-1050D-P-2W	25.3	35.4	40.7	21.4	33.7	28.5	39.9	45.9	24.2	38.1
U-LC-1050D-P-4W	30.4	42.5	48.9	25.7	40.5	34.2	47.9	55.2	29	45.7
U-LC-1050D-P-7W	33.2	46.4	53.4	28.1	44.2	37.4	52.3	60.3	31.7	50
U-LC-1050E	39.7	55.9	64.4	33.5	53.2	44.8	63.1	72.8	37.9	60.2
U-LC-1050E-P-2W	26.5	37.2	42.9	22.3	35.5	29.9	42.1	48.5	25.3	40.1
U-LC-1050E-P-4W	31.8	44.7	51.6	26.8	42.6	35.9	50.5	58.2	30.4	48.2
U-LC-1050E-P-7W	34.8	48.9	56.4	29.4	46.6	39.3	55.3	63.7	33.2	52.7
U-LC-1060A	35.8	47	52.8	31.4	45.2	39.4	51.8	58.3	34.6	49.9
U-LC-1060A-P-2W	23.8	31.3	35.2	20.9	30.1	26.2	34.5	38.8	23	33.2
U-LC-1060A-P-4W	28.6	37.6	42.2	25.1	36.2	31.5	41.5	46.6	27.7	39.9
U-LC-1060A-P-7W	31.4	41.2	46.3	27.5	39.6	34.5	45.4	51.1	30.3	43.7
U-LC-1060B	37.5	49.7	56	32.8	47.8	41.4	54.9	62	36.2	52.9
U-LC-1060B-P-2W	25	33.1	37.3	21.9	31.8	27.6	36.6	41.3	24.1	35.2
U-LC-1060B-P-4W	30	39.7	44.8	26.2	38.2	33.1	43.9	49.5	28.9	42.2
U-LC-1060B-P-7W	32.9	43.5	49	28.7	41.8	36.2	48.1	54.2	31.7	46.2
U-LC-1060C	41.8	55.8	63.1	36.3	53.5	46.2	61.9	70	40.2	59.4
U-LC-1060C-P-2W	27.9	37.3	42.1	24.2	35.7	30.9	41.3	46.7	26.8	39.7
U-LC-1060C-P-4W	33.4	44.7	50.5	29.1	42.8	37	49.5	56.1	32.2	47.6
U-LC-1060C-P-7W	36.6	48.9	55.3	31.8	46.9	40.5	54.2	61.3	35.2	52
U-LC-1060D	47.2	62.8	70.9	41.1	60.3	52.2	69.5	78.6	45.5	66.8
U-LC-1060D-P-2W	31.5	41.9	47.3	27.5	40.2	34.8	46.4	52.4	30.4	44.6
U-LC-1060D-P-4W	37.8	50.3	56.7	32.9	48.2	41.7	55.6	62.9	36.4	53.5
U-LC-1060D-P-7W	41.3	55	62.1	36	52.7	45.7	60.8	68.7	39.8	58.5
U-LC-1060E	51.9	68.7	77.4	45.3	66	57.2	75.9	85.6	50	73
U-LC-1060E-P-2W	34.6	45.8	51.6	30.2	44	38.1	50.6	57.1	33.3	48.7
U-LC-1060E-P-4W	41.5	54.9	61.9	36.2	52.8	45.8	60.7	68.5	40	58.4
U-LC-1060E-P-7W	45.4	60.2	67.8	39.7	57.8	50.1	66.5	75	43.8	64
U-LC-1070A	40.6	53.5	60.1	35.6	51.3	44.7	58.9	66.2	39.1	56.6
U-LC-1070A-P-2W	27.1	35.7	40.1	23.8	34.3	29.8	39.3	44.2	26.1	37.8
U-LC-1070A-P-4W	32.5	42.8	48.1	28.5	41.1	35.7	47.1	53	31.3	45.3
U-LC-1070A-P-7W	35.5	46.7	52.5	31.1	44.9	39.1	51.5	57.9	34.2	49.5
U-LC-1070B	43.9	58.7	66.4	38.1	56.2	48.5	65	73.6	42.2	62.4
U-LC-1070B-P-2W	29.3	39.1	44.3	25.4	37.5	32.4	43.4	49.1	28.1	41.6
U-LC-1070B-P-4W	35.1	46.9	53.1	30.5	45	38.8	52	58.9	33.7	49.9
U-LC-1070B-P-7W	38.4	51.4	58.1	33.3	49.2	42.5	56.9	64.4	36.9	54.6
U-LC-1070C	46.7	63.7	72.6	40.1	60.8	52	71.1	81	44.7	68
U-LC-1070C-P-2W	31.1	42.5	48.4	26.7	40.6	34.7	47.4	54	29.8	45.3

STD-201RS Table 3b - SI Units - Cooling Towers (CT)

Condition Reference #	1	2	3	4	5	6	7	8	9	10
Wet Bulb °C	10	10	10	10	10	13	13	13	13	13
Range °C	6	6	6	8	8	6	6	6	8	8
Approach °C	4	6	7	4	7	4	6	7	4	7
Inlet Water Temperature °C	20	22	23	22	25	23	25	26	25	28
Outlet Water Temperature °C	14	16	17	14	17	17	19	20	17	20
	L/S									
U-LC-1070C-P-4W	37.4	51	58.1	32.1	48.7	41.7	56.9	64.9	35.8	54.4
U-LC-1070C-P-7W	40.9	55.7	63.5	35.1	53.2	45.5	62.2	70.9	39.2	59.5
U-LC-1070D	49.4	66.5	75.4	42.8	63.7	54.8	73.9	83.9	47.5	70.8
U-LC-1070D-P-2W	33	44.4	50.3	28.5	42.5	36.6	49.3	56	31.7	47.3
U-LC-1070D-P-4W	39.6	53.3	60.4	34.2	51	43.9	59.2	67.1	38	56.7
U-LC-1070D-P-7W	43.3	58.2	66	37.4	55.7	48	64.7	73.4	41.5	62
U-LC-1070E	54.1	72	81.3	47.1	69.1	59.8	79.7	90	52.1	76.5
U-LC-1070E-P-2W	36.1	48	54.2	31.4	46	39.8	53.1	60	34.7	51
U-LC-1070E-P-4W	43.3	57.6	65	37.7	55.2	47.8	63.7	72	41.6	61.2
U-LC-1070E-P-7W	47.4	63.1	71.2	41.3	60.5	52.3	69.7	78.8	45.6	67
U-LC-1080A	46.2	61.8	69.9	40.1	59.2	51.1	68.5	77.5	44.4	65.7
U-LC-1080A-P-2W	30.9	41.3	46.7	26.8	39.5	34.1	45.7	51.8	29.7	43.9
U-LC-1080A-P-4W	37	49.4	55.9	32.1	47.4	40.9	54.8	62	35.5	52.6
U-LC-1080A-P-7W	40.5	54.1	61.2	35.1	51.8	44.8	60	67.9	38.9	57.5
U-LC-1080B	47.5	64.9	74	40.7	61.9	52.9	72.4	82.6	45.4	69.2
U-LC-1080B-P-2W	31.7	43.3	49.4	27.2	41.4	35.4	48.4	55.2	30.4	46.2
U-LC-1080B-P-4W	38	51.9	59.1	32.6	49.5	42.3	57.9	66	36.3	55.3
U-LC-1080B-P-7W	41.6	56.8	64.8	35.7	54.2	46.4	63.4	72.4	39.8	60.6
U-LC-1080C	54.6	73.5	83.4	47.2	70.4	60.6	81.7	92.7	52.4	78.3
U-LC-1080C-P-2W	36.4	49.1	55.6	31.5	47	40.4	54.5	61.9	35	52.3
U-LC-1080C-P-4W	43.7	58.9	66.8	37.8	56.4	48.5	65.4	74.2	42	62.7
U-LC-1080C-P-7W	47.8	64.3	72.9	41.3	61.6	53	71.4	81.1	45.9	68.5
U-LC-1080D	59.2	78.9	89.1	51.5	75.6	65.4	87.3	98.7	56.9	83.8
U-LC-1080D-P-2W	39.5	52.7	59.5	34.4	50.5	43.7	58.3	65.9	38	56
U-LC-1080D-P-4W	47.3	63	71.2	41.1	60.4	52.3	69.8	78.9	45.5	67
U-LC-1080D-P-7W	51.7	69	77.9	45	66.1	57.2	76.3	86.3	49.8	73.3
U-LC-1080E	61.1	83	94.5	52.6	79.3	68	92.5	105.3	58.6	88.5
U-LC-1080E-P-2W	40.7	55.3	63	35.1	52.9	45.3	61.7	70.2	39	59
U-LC-1080E-P-4W	48.9	66.4	75.5	42.1	63.4	54.4	74	84.2	46.8	70.8
U-LC-1080E-P-7W	53.5	72.7	82.7	46	69.4	59.5	81	92.2	51.3	77.5
U-LC-1090A	51.8	71.6	82.1	44.1	68.3	58	80.4	92.2	49.5	76.8
U-LC-1090A-P-2W	34.6	47.8	54.8	29.5	45.6	38.8	53.7	61.5	33.1	51.3
U-LC-1090A-P-4W	41.4	57.3	65.7	35.3	54.7	46.5	64.3	73.8	39.7	61.5
U-LC-1090A-P-7W	45.3	62.7	71.8	38.6	59.8	50.8	70.3	80.7	43.4	67.2
U-LC-1090B	51.9	73	84.2	43.8	69.5	58.6	82.4	95.1	49.6	78.6
U-LC-1090B-P-2W	34.7	48.7	56.2	29.3	46.4	39.1	55	63.4	33.1	52.5
U-LC-1090B-P-4W	41.5	58.4	67.3	35	55.6	46.8	65.9	76	39.6	62.8
U-LC-1090B-P-7W	45.5	63.9	73.7	38.4	60.8	51.3	72.1	83.2	43.4	68.8
U-LC-1090C	61.6	83.6	95.1	53	79.9	68.5	93.2	106.1	59.1	89.2
U-LC-1090C-P-2W	41	55.7	63.4	35.4	53.3	45.7	62.1	70.7	39.4	59.5
U-LC-1090C-P-4W	49.3	66.9	76.1	42.4	63.9	54.8	74.5	84.8	47.3	71.4
U-LC-1090C-P-7W	53.9	73.1	83.2	46.4	69.9	60	81.5	92.8	51.7	78.1
U-LC-1090D	68.5	92.8	105.5	59.1	88.8	76.2	103.4	117.7	65.8	99.2
U-LC-1090D-P-2W	45.7	61.9	70.4	39.4	59.3	50.8	69	78.5	43.9	66.2
U-LC-1090D-P-4W	54.8	74.2	84.4	47.2	71	61	82.7	94.1	52.6	79.3
U-LC-1090D-P-7W	59.9	81.2	92.3	51.7	77.7	66.7	90.5	102.9	57.6	86.8
U-LC-1090E	69.6	95.7	109.5	59.5	91.4	77.9	107.2	122.7	66.6	102.5
U-LC-1090E-P-2W	46.4	63.9	73	39.7	61	51.9	71.5	81.8	44.5	68.4
U-LC-1090E-P-4W	55.7	76.6	87.6	47.6	73.2	62.3	85.8	98.2	53.4	82.1
U-LC-1090E-P-7W	60.9	83.8	95.8	52	79.9	68.1	93.8	107.3	58.3	89.7
U-LC-1100A	52	73.3	84.5	43.8	69.7	58.7	82.7	95.5	49.6	78.9
U-LC-1100A-P-2W	34.7	48.9	56.4	29.3	46.5	39.2	55.2	63.7	33.1	52.7
U-LC-1100A-P-4W	41.6	58.7	67.7	35.1	55.8	47	66.2	76.4	39.7	63.2
U-LC-1100A-P-7W	45.5	64.1	73.9	38.3	60.9	51.3	72.3	83.5	43.4	69
U-LC-1100B	56.8	78.5	90	48.4	74.9	63.7	88.1	100.9	54.3	84.1
U-LC-1100B-P-2W	37.9	52.4	60	32.3	50	42.5	58.8	67.3	36.2	56.1
U-LC-1100B-P-4W	45.4	62.8	72	38.7	59.9	50.9	70.5	80.8	43.5	67.3
U-LC-1100B-P-7W	49.8	68.8	78.8	42.4	65.6	55.7	77.1	88.4	47.6	73.7
U-LC-1100C	64	86.9	98.9	55.2	83.1	71.3	96.9	110.3	61.5	92.8
U-LC-1100C-P-2W	42.7	58	66	36.8	55.4	47.5	64.6	73.6	41	61.9
U-LC-1100C-P-4W	51.2	69.5	79	44.1	66.4	57	77.4	88.1	49.1	74.2
U-LC-1100C-P-7W	56.1	76.1	86.6	48.3	72.8	62.4	84.8	96.6	53.8	81.2
U-LC-1100D	69.6	95.9	109.7	59.4	91.5	77.9	107.4	123	66.6	102.7
U-LC-1100D-P-2W	46.4	64	73.2	39.7	61.1	52	71.7	82.1	44.5	68.6
U-LC-1100D-P-4W	55.7	76.7	87.8	47.6	73.2	62.3	86	98.4	53.3	82.2
U-LC-1100D-P-7W	60.9	83.9	96	52	80.1	68.2	94.1	107.7	58.3	89.9
U-LC-1100E	74.2	102.4	117.3	63.3	97.7	83.1	114.8	131.6	71	109.8
U-LC-1100E-P-2W	49.4	68.3	78.2	42.2	65.1	55.4	76.5	87.7	47.3	73.2
U-LC-1100E-P-4W	59.4	82	93.9	50.6	78.2	66.5	91.9	105.3	56.8	87.9
U-LC-1100E-P-7W	64.9	89.6	102.6	55.4	85.5	72.7	100.5	115.1	62.1	96

STD-201RS Table 3b - SI Units - Cooling Towers (CT)

Condition Reference #	11	12	13	14	15	16	17	18	19	20
Wet Bulb °C	16	16	16	16	16	18	18	18	18	18
Range °C	6	6	6	8	8	6	6	6	8	8
Approach °C	4	6	7	4	7	4	6	7	4	7
Inlet Water Temperature °C	26	28	29	28	31	28	30	31	30	33
Outlet Water Temperature °C	20	22	23	20	23	22	24	25	22	25
	L/S									
U-LC-1010C	6.9	10.7	12.8	5.6	10.1	7.7	11.9	14.2	6.2	11.2
U-LC-1010C-P-2W	4.7	7.2	8.6	3.7	6.8	5.2	8	9.5	4.2	7.5
U-LC-1010C-P-4W	5.6	8.6	10.2	4.5	8.1	6.2	9.5	11.3	5	9
U-LC-1010C-P-7W	6	9.3	11.1	4.8	8.8	6.7	10.3	12.3	5.4	9.8
U-LC-1012C	7.9	12.3	14.8	6.3	11.6	8.8	13.7	16.4	7.1	12.9
U-LC-1012C-P-2W	5.3	8.2	9.8	4.2	7.7	5.9	9.1	10.9	4.7	8.6
U-LC-1012C-P-4W	6.3	9.8	11.8	5	9.2	7	10.9	13.1	5.6	10.3
U-LC-1012C-P-7W	7	10.8	13	5.5	10.2	7.8	12.1	14.4	6.2	11.4
U-LC-1012D	9.9	14.7	17.4	8.1	13.9	10.9	16.3	19.2	9	15.4
U-LC-1012D-P-2W	6.6	9.8	11.5	5.4	9.2	7.2	10.8	12.7	5.9	10.2
U-LC-1012D-P-4W	7.9	11.7	13.8	6.4	11.1	8.7	12.9	15.3	7.1	12.3
U-LC-1012D-P-7W	8.7	12.9	15.2	7.1	12.2	9.6	14.3	16.8	7.9	13.5
U-LC-1015B	7.1	11.6	14.1	5.5	10.8	8	13.1	15.9	6.3	12.2
U-LC-1015B-P-2W	4.7	7.7	9.4	3.6	7.2	5.3	8.7	10.5	4.1	8.1
U-LC-1015B-P-4W	5.6	9.2	11.2	4.4	8.6	6.4	10.4	12.6	5	9.7
U-LC-1015B-P-7W	6.2	10.2	12.4	4.8	9.5	7.1	11.5	13.9	5.5	10.7
U-LC-1015C	9.1	14.3	17.2	7.2	13.4	10.2	15.9	19.1	8.1	15
U-LC-1015C-P-2W	6	9.5	11.4	4.8	8.9	6.7	10.6	12.7	5.4	9.9
U-LC-1015C-P-4W	7.3	11.5	13.8	5.8	10.7	8.2	12.8	15.3	6.5	12
U-LC-1015C-P-7W	8	12.6	15.1	6.3	11.8	9	14	16.8	7.1	13.2
U-LC-1015D	11	16.8	20	8.8	15.8	12.2	18.7	22.2	9.9	17.6
U-LC-1015D-P-2W	7.3	11.3	13.4	5.9	10.6	8.2	12.5	14.9	6.6	11.8
U-LC-1015D-P-4W	8.7	13.4	16	7	12.6	9.7	14.9	17.7	7.8	14
U-LC-1015D-P-7W	9.6	14.7	17.5	7.7	13.8	10.6	16.3	19.4	8.6	15.4
U-LC-1015E	12.3	18.6	22.1	10	17.6	13.7	20.6	24.4	11.1	19.5
U-LC-1015E-P-2W	8.3	12.5	14.8	6.7	11.8	9.2	13.8	16.3	7.5	13
U-LC-1015E-P-4W	9.9	14.9	17.7	8	14.1	10.9	16.5	19.5	8.9	15.6
U-LC-1015E-P-7W	10.8	16.3	19.3	8.8	15.4	12	18.1	21.4	9.7	17.1
U-LC-1017B	9.3	14.9	18	7.3	14	10.5	16.7	20.2	8.3	15.7
U-LC-1017B-P-2W	6.2	10	12	4.9	9.3	7	11.2	13.4	5.5	10.5
U-LC-1017B-P-4W	7.4	11.9	14.4	5.8	11.1	8.4	13.3	16.1	6.6	12.5
U-LC-1017B-P-7W	8.2	13.1	15.8	6.4	12.3	9.3	14.7	17.7	7.3	13.8
U-LC-1017C	11.9	18.5	22.1	9.5	17.4	13.3	20.6	24.6	10.6	19.5
U-LC-1017C-P-2W	8	12.4	14.8	6.3	11.7	8.9	13.8	16.4	7.1	13
U-LC-1017C-P-4W	9.5	14.7	17.6	7.5	13.9	10.6	16.4	19.6	8.5	15.5
U-LC-1017C-P-7W	10.4	16.3	19.4	8.3	15.3	11.7	18.1	21.6	9.4	17.1
U-LC-1017D	14	21.3	25.3	11.3	20.2	15.6	23.7	28	12.7	22.4
U-LC-1017D-P-2W	9.3	14.2	16.8	7.5	13.4	10.4	15.7	18.6	8.4	14.9
U-LC-1017D-P-4W	11.3	17.1	20.3	9.1	16.2	12.6	19	22.5	10.2	18
U-LC-1017D-P-7W	12.3	18.7	22.1	9.9	17.6	13.7	20.7	24.5	11.1	19.6
U-LC-1017E	16.4	24.4	28.8	13.4	23.2	18.1	27	31.8	14.9	25.7
U-LC-1017E-P-2W	10.9	16.2	19.1	8.9	15.4	12	17.9	21.1	9.9	17
U-LC-1017E-P-4W	13	19.5	23	10.6	18.5	14.5	21.5	25.3	11.8	20.5
U-LC-1017E-P-7W	14.4	21.5	25.3	11.7	20.4	15.9	23.7	27.9	13.1	22.5
U-LC-1020B	13.8	20	23.3	11.5	19	15.2	21.9	25.6	12.6	20.9
U-LC-1020B-P-2W	9.2	13.3	15.5	7.6	12.6	10.1	14.6	17	8.4	13.9
U-LC-1020B-P-4W	11	16	18.6	9.2	15.2	12.1	17.5	20.4	10.1	16.7
U-LC-1020B-P-7W	12	17.4	20.4	10	16.6	13.2	19.1	22.3	11	18.2
U-LC-1020C	15.7	22.8	26.6	13	21.7	17.2	25	29.2	14.4	23.8
U-LC-1020C-P-2W	10.4	15.1	17.7	8.7	14.4	11.4	16.6	19.4	9.5	15.8
U-LC-1020C-P-4W	12.6	18.2	21.3	10.4	17.3	13.8	20	23.3	11.5	19
U-LC-1020C-P-7W	13.8	20	23.3	11.4	19	15.1	21.9	25.6	12.6	20.9
U-LC-1020D	17.4	25.2	29.4	14.5	23.9	19.1	27.6	32.2	15.9	26.3
U-LC-1020D-P-2W	11.6	16.8	19.6	9.7	16	12.8	18.4	21.5	10.6	17.6
U-LC-1020D-P-4W	13.9	20.2	23.5	11.6	19.2	15.3	22.1	25.8	12.8	21.1
U-LC-1020D-P-7W	15.3	22.1	25.7	12.7	21	16.7	24.2	28.2	14	23
U-LC-1020E	20.1	28.8	33.4	16.9	27.4	22	31.5	36.5	18.5	30
U-LC-1020E-P-2W	13.4	19.2	22.3	11.3	18.3	14.7	21	24.4	12.4	20.1
U-LC-1020E-P-4W	16.1	23	26.8	13.5	22	17.6	25.2	29.2	14.8	24
U-LC-1020E-P-7W	17.6	25.2	29.3	14.8	24	19.3	27.6	32	16.2	26.3
U-LC-1022B	15.7	23	26.9	13	21.9	17.3	25.3	29.6	14.4	24.1
U-LC-1022B-P-2W	10.5	15.3	17.9	8.7	14.5	11.5	16.8	19.7	9.5	16
U-LC-1022B-P-4W	12.5	18.4	21.5	10.4	17.4	13.8	20.2	23.6	11.5	19.2
U-LC-1022B-P-7W	13.7	20.1	23.5	11.4	19.1	15.1	22.1	25.8	12.5	21
U-LC-1022C	19.7	28.2	32.7	16.5	26.9	21.6	30.8	35.7	18.1	29.4
U-LC-1022C-P-2W	13.1	18.8	21.8	11	17.9	14.4	20.5	23.8	12.1	19.6
U-LC-1022C-P-4W	15.8	22.6	26.2	13.2	21.5	17.3	24.7	28.7	14.5	23.6
U-LC-1022C-P-7W	17.2	24.6	28.6	14.4	23.5	18.8	26.9	31.3	15.8	25.7
U-LC-1022D	22.6	31.8	36.6	19.1	30.4	24.6	34.6	39.9	20.9	33.1
U-LC-1022D-P-2W	15.1	21.2	24.5	12.8	20.3	16.5	23.1	26.7	14	22.2
U-LC-1022D-P-4W	18	25.4	29.3	15.3	24.3	19.7	27.7	31.9	16.7	26.5
U-LC-1022D-P-7W	19.7	27.7	32	16.7	26.5	21.5	30.2	34.9	18.2	28.9
U-LC-1022E	26.9	37.1	42.5	23	35.6	29.2	40.3	46.1	25	38.7
U-LC-1022E-P-2W	18	24.8	28.4	15.4	23.8	19.5	26.9	30.8	16.7	25.8

STD-201RS Table 3b - SI Units - Cooling Towers (CT)

Condition Reference #	11	12	13	14	15	16	17	18	19	20
Wet Bulb °C	16	16	16	16	16	18	18	18	18	18
Range °C	6	6	6	8	8	6	6	6	8	8
Approach °C	4	6	7	4	7	4	6	7	4	7
Inlet Water Temperature °C	26	28	29	28	31	28	30	31	30	33
Outlet Water Temperature °C	20	22	23	20	23	22	24	25	22	25
	L/S									
U-LC-1022E-P-4W	21.6	29.8	34.1	18.5	28.5	23.4	32.3	37	20.1	31
U-LC-1022E-P-7W	23.5	32.4	37.2	20.1	31.1	25.5	35.2	40.3	21.8	33.8
U-LC-1025B	19.7	28.2	32.7	16.5	26.9	21.6	30.8	35.7	18.1	29.4
U-LC-1025B-P-2W	13.1	18.8	21.8	11	17.9	14.4	20.5	23.8	12.1	19.6
U-LC-1025B-P-4W	15.8	22.6	26.2	13.2	21.5	17.3	24.7	28.7	14.5	23.6
U-LC-1025B-P-7W	17.2	24.6	28.6	14.4	23.5	18.8	26.9	31.3	15.8	25.7
U-LC-1025C	22.6	31.8	36.6	19.1	30.4	24.6	34.6	39.9	20.9	33.1
U-LC-1025C-P-2W	15.1	21.2	24.5	12.8	20.3	16.5	23.1	26.7	14	22.2
U-LC-1025C-P-4W	18	25.4	29.3	15.3	24.3	19.7	27.7	31.9	16.7	26.5
U-LC-1025C-P-7W	19.7	27.7	32	16.7	26.5	21.5	30.2	34.9	18.2	28.9
U-LC-1025D	26.9	37.1	42.5	23	35.6	29.2	40.3	46.1	25	38.7
U-LC-1025D-P-2W	18	24.8	28.4	15.4	23.8	19.5	26.9	30.8	16.7	25.8
U-LC-1025D-P-4W	21.6	29.8	34.1	18.5	28.5	23.4	32.3	37	20.1	31
U-LC-1025D-P-7W	23.5	32.4	37.2	20.1	31.1	25.5	35.2	40.3	21.8	33.8
U-LC-1025E	30.2	41.3	47.1	26	39.6	32.7	44.7	51	28.2	43
U-LC-1025E-P-2W	20.1	27.5	31.4	17.3	26.4	21.8	29.8	34	18.8	28.6
U-LC-1025E-P-4W	24.1	33	37.6	20.8	31.7	26.1	35.7	40.8	22.5	34.3
U-LC-1025E-P-7W	26.4	36.1	41.2	22.7	34.7	28.6	39.1	44.7	24.6	37.6
U-LC-1030A	17.4	25.5	29.9	14.4	24.1	19.1	28	32.8	15.8	26.5
U-LC-1030A-P-2W	11.6	16.9	19.9	9.5	16	12.7	18.6	21.8	10.5	17.6
U-LC-1030A-P-4W	13.9	20.4	23.9	11.5	19.3	15.3	22.4	26.3	12.7	21.2
U-LC-1030A-P-7W	15.2	22.3	26.1	12.6	21.1	16.7	24.4	28.7	13.8	23.2
U-LC-1030B	20.5	29.7	34.6	17.1	28.1	22.5	32.5	37.9	18.7	30.8
U-LC-1030B-P-2W	13.7	19.8	23.1	11.4	18.8	15	21.7	25.3	12.5	20.5
U-LC-1030B-P-4W	16.4	23.7	27.7	13.7	22.5	18	26	30.3	15	24.6
U-LC-1030B-P-7W	18	26	30.4	15	24.7	19.7	28.5	33.2	16.4	27
U-LC-1030C	23.1	33.1	38.4	19.3	31.4	25.2	36.1	41.9	21.1	34.3
U-LC-1030C-P-2W	15.4	22.1	25.7	12.9	21	16.8	24.1	28	14.1	22.9
U-LC-1030C-P-4W	18.5	26.5	30.8	15.5	25.1	20.2	28.9	33.6	16.9	27.5
U-LC-1030C-P-7W	22.4	30.3	34.4	19.5	29.3	24.3	32.8	37.2	21.1	31.8
U-LC-1030D	27.4	38.6	44.7	23.1	36.8	29.8	42	48.6	25.1	40
U-LC-1030D-P-2W	18.3	25.8	29.8	15.4	24.6	19.9	28.1	32.5	16.8	26.7
U-LC-1030D-P-4W	21.9	31	35.8	18.5	29.5	23.9	33.7	38.9	20.1	32.1
U-LC-1030D-P-7W	23.9	33.8	39	20.2	32.1	26	36.7	42.5	21.9	35
U-LC-1030E	29.7	41.6	47.9	25.2	39.6	32.2	45.2	52.1	27.3	43
U-LC-1030E-P-2W	19.8	27.8	32	16.8	26.5	21.5	30.2	34.8	18.2	28.7
U-LC-1030E-P-4W	23.8	33.3	38.3	20.1	31.7	25.8	36.1	41.6	21.9	34.4
U-LC-1030E-P-7W	26	36.4	41.9	22	34.6	28.2	39.5	45.5	23.9	37.6
U-LC-1035A	22	31.2	36.1	18.5	29.7	24	34	39.4	20.2	32.4
U-LC-1035A-P-2W	14.7	20.9	24.1	12.4	19.8	16	22.7	26.3	13.5	21.7
U-LC-1035A-P-4W	17.6	25	28.9	14.8	23.8	19.2	27.2	31.6	16.2	26
U-LC-1035A-P-7W	19.3	27.3	31.7	16.2	26	21	29.8	34.5	17.7	28.4
U-LC-1035B	26.1	36.6	42.1	22.2	34.9	28.4	39.7	45.7	24.1	37.9
U-LC-1035B-P-2W	17.4	24.3	28	14.7	23.2	18.9	26.4	30.4	16	25.2
U-LC-1035B-P-4W	20.9	29.2	33.7	17.7	27.9	22.7	31.8	36.6	19.3	30.3
U-LC-1035B-P-7W	22.9	32.1	36.9	19.5	30.6	24.9	34.8	40.1	21.1	33.3
U-LC-1035C	29.5	40.7	46.7	25.2	38.9	31.9	44.1	50.5	27.3	42.2
U-LC-1035C-P-2W	19.6	27.1	31.1	16.8	25.9	21.3	29.4	33.7	18.2	28.1
U-LC-1035C-P-4W	23.6	32.6	37.3	20.1	31.1	25.5	35.3	40.4	21.8	33.7
U-LC-1035C-P-7W	25.7	35.6	40.8	22	34	27.9	38.5	44.2	23.8	36.8
U-LC-1035D	32.5	45.4	52.2	27.6	43.3	35.3	49.3	56.7	30	47.1
U-LC-1035D-P-2W	21.7	30.3	34.9	18.4	28.9	23.6	32.9	37.9	20	31.4
U-LC-1035D-P-4W	26	36.4	41.9	22.1	34.7	28.3	39.5	45.5	24	37.7
U-LC-1035D-P-7W	28.5	39.8	45.7	24.2	37.9	30.9	43.2	49.7	26.3	41.2
U-LC-1035E	34.7	49	56.7	29.3	46.7	37.8	53.4	61.7	31.9	50.9
U-LC-1035E-P-2W	23.1	32.6	37.7	19.5	31.1	25.2	35.6	41.1	21.2	33.9
U-LC-1035E-P-4W	27.7	39.2	45.3	23.4	37.3	30.2	42.7	49.3	25.5	40.7
U-LC-1035E-P-7W	30.4	42.9	49.6	25.6	40.9	33.1	46.8	54	27.9	44.6
U-LC-1040A	22.5	32.4	37.6	18.8	30.8	24.7	35.4	41.2	20.6	33.7
U-LC-1040A-P-2W	15.1	21.6	25.2	12.6	20.6	16.5	23.7	27.5	13.8	22.5
U-LC-1040A-P-4W	18	25.8	30.1	15	24.6	19.7	28.3	32.9	16.5	26.9
U-LC-1040A-P-7W	19.7	28.3	32.9	16.5	26.9	21.5	30.9	36	18	29.4
U-LC-1040B	26.7	37.8	43.8	22.5	36	29.1	41.3	47.7	24.5	39.3
U-LC-1040B-P-2W	17.8	25.3	29.2	15	24.1	19.4	27.6	31.9	16.4	26.3
U-LC-1040B-P-4W	21.3	30.2	35	18	28.8	23.2	33	38.2	19.6	31.4
U-LC-1040B-P-7W	23.4	33.1	38.4	19.7	31.6	25.5	36.1	41.8	21.5	34.5
U-LC-1040C	29.8	41.8	48.3	25.2	39.9	32.4	45.5	52.5	27.4	43.5
U-LC-1040C-P-2W	19.8	27.9	32.2	16.8	26.6	21.6	30.4	35	18.3	29
U-LC-1040C-P-4W	23.8	33.5	38.6	20.1	31.9	25.9	36.4	42	21.9	34.8
U-LC-1040C-P-7W	26.1	36.7	42.3	22.1	35	28.4	39.9	46.1	24.1	38.1
U-LC-1040D	34.4	47.9	55	29.3	45.7	37.3	52	59.7	31.8	49.7
U-LC-1040D-P-2W	22.9	31.9	36.7	19.5	30.5	24.9	34.6	39.8	21.2	33.1
U-LC-1040D-P-4W	27.5	38.3	44	23.4	36.5	29.8	41.5	47.8	25.4	39.7
U-LC-1040D-P-7W	30.1	41.9	48.2	25.6	40	32.7	45.5	52.3	27.8	43.5

STD-201RS Table 3b - SI Units - Cooling Towers (CT)

Condition Reference #	11	12	13	14	15	16	17	18	19	20
Wet Bulb °C	16	16	16	16	16	18	18	18	18	18
Range °C	6	6	6	8	8	6	6	6	8	8
Approach °C	4	6	7	4	7	4	6	7	4	7
Inlet Water Temperature °C	26	28	29	28	31	28	30	31	30	33
Outlet Water Temperature °C	20	22	23	20	23	22	24	25	22	25
	L/S									
U-LC-1040E	38.4	53	60.8	32.8	50.7	41.5	57.4	65.9	35.5	55
U-LC-1040E-P-2W	25.6	35.3	40.5	21.9	33.8	27.7	38.3	43.9	23.7	36.6
U-LC-1040E-P-4W	30.7	42.5	48.7	26.3	40.6	33.3	46	52.8	28.5	44
U-LC-1040E-P-7W	33.6	46.5	53.2	28.7	44.4	36.4	50.3	57.7	31.1	48.2
U-LC-1045A	30	43.4	50.6	24.9	41.2	32.9	47.5	55.4	27.4	45.2
U-LC-1045A-P-2W	20	29	33.8	16.7	27.5	22	31.7	37	18.3	30.2
U-LC-1045A-P-4W	24	34.8	40.5	20	33	26.3	38.1	44.4	22	36.2
U-LC-1045A-P-7W	26.2	38	44.3	21.8	36.1	28.8	41.6	48.5	24	39.6
U-LC-1045B	31.6	46.1	53.9	26.2	43.7	34.7	50.6	59.1	28.8	48.1
U-LC-1045B-P-2W	21.1	30.7	35.9	17.5	29.2	23.2	33.7	39.4	19.2	32.1
U-LC-1045B-P-4W	25.3	36.9	43.1	21	35	27.8	40.5	47.3	23.1	38.5
U-LC-1045B-P-7W	27.7	40.3	47.2	22.9	38.3	30.4	44.3	51.8	25.3	42.1
U-LC-1045C	34.7	50.8	59.6	28.6	48.2	38.2	55.9	65.4	31.6	53.1
U-LC-1045C-P-2W	23.1	33.8	39.6	19.1	32.1	25.4	37.2	43.6	21	35.3
U-LC-1045C-P-4W	27.7	40.6	47.6	22.9	38.5	30.5	44.6	52.3	25.2	42.4
U-LC-1045C-P-7W	30.3	44.5	52.1	25.1	42.2	33.4	48.9	57.2	27.6	46.4
U-LC-1045D	35.8	53.1	62.5	29.4	50.2	39.5	58.5	68.8	32.5	55.5
U-LC-1045D-P-2W	23.8	35.4	41.6	19.6	33.5	26.3	39	45.9	21.6	37
U-LC-1045D-P-4W	28.6	42.5	50	23.5	40.2	31.6	46.8	55	26	44.4
U-LC-1045D-P-7W	31.3	46.4	54.6	25.6	43.9	34.5	51.1	60.1	28.4	48.5
U-LC-1045E	40.6	58.2	67.7	33.9	55.3	44.4	63.6	74	37.2	60.5
U-LC-1045E-P-2W	27.1	38.9	45.2	22.7	36.9	29.6	42.5	49.4	24.8	40.4
U-LC-1045E-P-4W	32.5	46.6	54.2	27.2	44.3	35.5	51	59.2	29.8	48.5
U-LC-1045E-P-7W	35.5	51	59.3	29.7	48.5	38.9	55.7	64.8	32.6	53
U-LC-1050A	38.4	52.9	60.5	32.9	50.7	41.6	57.3	65.7	35.7	55
U-LC-1050A-P-2W	25.6	35.2	40.4	21.9	33.8	27.7	38.2	43.8	23.8	36.7
U-LC-1050A-P-4W	30.7	42.4	48.5	26.3	40.6	33.3	45.9	52.6	28.6	44.1
U-LC-1050A-P-7W	33.6	46.3	53	28.8	44.4	36.5	50.3	57.5	31.3	48.2
U-LC-1050B	40.4	56	64.3	34.6	53.7	43.9	60.9	69.8	37.6	58.4
U-LC-1050B-P-2W	27	37.4	42.9	23.1	35.8	29.3	40.6	46.6	25.1	39
U-LC-1050B-P-4W	32.4	44.9	51.5	27.7	43	35.2	48.8	55.9	30.1	46.8
U-LC-1050B-P-7W	35.3	49	56.2	30.2	46.9	38.4	53.2	61	32.8	51
U-LC-1050C	45	62.7	72	38.3	60	48.9	68.2	78.3	41.7	65.3
U-LC-1050C-P-2W	30	41.8	48	25.5	40	32.6	45.4	52.2	27.8	43.5
U-LC-1050C-P-4W	36	50.2	57.7	30.7	48.1	39.2	54.6	62.7	33.4	52.3
U-LC-1050C-P-7W	39.3	54.8	63	33.5	52.5	42.8	59.6	68.5	36.5	57.1
U-LC-1050D	48.4	67.8	78	41.1	64.9	52.7	73.8	84.9	44.9	70.7
U-LC-1050D-P-2W	32.3	45.2	52	27.4	43.2	35.1	49.2	56.6	29.9	47.1
U-LC-1050D-P-4W	38.8	54.3	62.5	32.9	51.9	42.2	59.1	68	35.9	56.6
U-LC-1050D-P-7W	42.3	59.3	68.2	36	56.7	46.1	64.5	74.3	39.2	61.8
U-LC-1050E	50.9	71.6	82.5	43.1	68.4	55.5	78	89.9	47.1	74.7
U-LC-1050E-P-2W	33.9	47.7	55	28.8	45.6	37	52	59.9	31.4	49.8
U-LC-1050E-P-4W	40.7	57.3	66.1	34.5	54.8	44.4	62.4	72	37.7	59.8
U-LC-1050E-P-7W	44.6	62.7	72.3	37.8	60	48.6	68.3	78.8	41.3	65.4
U-LC-1060A	43.5	57.4	64.5	38.2	55.3	46.6	61.5	69.2	40.9	59.3
U-LC-1060A-P-2W	29	38.2	43	25.4	36.8	31	40.9	46.1	27.3	39.5
U-LC-1060A-P-4W	34.8	45.9	51.6	30.6	44.2	37.3	49.2	55.4	32.8	47.4
U-LC-1060A-P-7W	38.1	50.3	56.5	33.5	48.5	40.8	53.9	60.6	35.9	52
U-LC-1060B	45.9	61	68.8	40.2	58.7	49.3	65.5	73.9	43.1	63.1
U-LC-1060B-P-2W	30.6	40.7	45.9	26.8	39.1	32.8	43.7	49.3	28.7	42.1
U-LC-1060B-P-4W	36.7	48.7	55	32.1	46.9	39.4	52.3	59.1	34.4	50.4
U-LC-1060B-P-7W	40.2	53.4	60.2	35.1	51.4	43.1	57.3	64.7	37.7	55.2
U-LC-1060C	51.4	68.9	78	44.7	66.2	55.3	74.1	84	48.1	71.3
U-LC-1060C-P-2W	34.3	46	52.1	29.8	44.2	36.9	49.5	56	32.1	47.6
U-LC-1060C-P-4W	41.1	55.1	62.4	35.8	53	44.2	59.3	67.2	38.5	57.1
U-LC-1060C-P-7W	45	60.3	68.3	39.1	58	48.4	64.9	73.5	42.1	62.4
U-LC-1060D	57.9	77.3	87.4	50.5	74.3	62.2	83.1	94	54.3	80
U-LC-1060D-P-2W	38.6	51.6	58.3	33.7	49.6	41.5	55.4	62.7	36.2	53.4
U-LC-1060D-P-4W	46.3	61.8	69.9	40.4	59.5	49.8	66.5	75.2	43.4	64
U-LC-1060D-P-7W	50.7	67.6	76.5	44.2	65.1	54.4	72.7	82.2	47.5	70
U-LC-1060E	63.4	84.3	95.1	55.4	81.1	68	90.5	102.2	59.5	87.2
U-LC-1060E-P-2W	42.3	56.2	63.4	37	54.1	45.4	60.3	68.1	39.7	58.1
U-LC-1060E-P-4W	50.7	67.4	76.1	44.3	64.9	54.4	72.4	81.7	47.6	69.7
U-LC-1060E-P-7W	55.5	73.8	83.3	48.6	71.1	59.6	79.3	89.5	52.1	76.4
U-LC-1070A	49.3	65.1	73.3	43.2	62.7	52.8	69.7	78.5	46.3	67.2
U-LC-1070A-P-2W	32.9	43.5	48.9	28.8	41.8	35.2	46.5	52.4	30.9	44.8
U-LC-1070A-P-4W	39.4	52.1	58.6	34.6	50.1	42.2	55.8	62.8	37	53.7
U-LC-1070A-P-7W	43.1	56.9	64.1	37.8	54.8	46.1	61	68.7	40.4	58.7
U-LC-1070B	53.9	72.4	82	46.9	69.5	58	77.8	88.2	50.4	74.8
U-LC-1070B-P-2W	36	48.2	54.6	31.2	46.3	38.7	51.9	58.8	33.6	49.9
U-LC-1070B-P-4W	43.1	57.9	65.5	37.5	55.6	46.4	62.2	70.5	40.3	59.8
U-LC-1070B-P-7W	47.2	63.3	71.7	41	60.8	50.7	68.1	77.2	44.1	65.5
U-LC-1070C	58.3	79.6	90.9	50.1	76.3	63	86.1	98.3	54.2	82.6
U-LC-1070C-P-2W	38.8	53.1	60.6	33.4	50.9	42	57.4	65.5	36.1	55

STD-201RS Table 3b - SI Units - Cooling Towers (CT)

Condition Reference #	11	12	13	14	15	16	17	18	19	20
Wet Bulb °C	16	16	16	16	16	18	18	18	18	18
Range °C	6	6	6	8	8	6	6	6	8	8
Approach °C	4	6	7	4	7	4	6	7	4	7
Inlet Water Temperature °C	26	28	29	28	31	28	30	31	30	33
Outlet Water Temperature °C	20	22	23	20	23	22	24	25	22	25
	L/S									
U-LC-1070C-P-4W	46.7	63.8	72.8	40.1	61.1	50.4	68.9	78.7	43.4	66.1
U-LC-1070C-P-7W	51	69.7	79.5	43.9	66.8	55.1	75.3	86	47.4	72.2
U-LC-1070D	61.1	82.4	93.6	52.9	79.1	65.7	88.8	100.9	57	85.3
U-LC-1070D-P-2W	40.7	55	62.5	35.3	52.8	43.9	59.3	67.3	38	56.9
U-LC-1070D-P-4W	48.9	66	74.9	42.4	63.3	52.6	71.1	80.8	45.6	68.3
U-LC-1070D-P-7W	53.5	72.2	81.9	46.3	69.3	57.6	77.8	88.3	49.9	74.7
U-LC-1070E	66.3	88.5	100	57.8	85.1	71.2	95.1	107.5	62	91.5
U-LC-1070E-P-2W	44.2	59	66.7	38.5	56.7	47.4	63.4	71.7	41.4	61
U-LC-1070E-P-4W	53	70.8	80	46.2	68	56.9	76	86	49.6	73.1
U-LC-1070E-P-7W	58	77.5	87.6	50.6	74.5	62.3	83.2	94.1	54.3	80.1
U-LC-1080A	56.8	76.2	86.3	49.4	73.2	61.1	82	92.9	53.1	78.8
U-LC-1080A-P-2W	37.9	50.9	57.6	33	48.9	40.8	54.8	62	35.5	52.6
U-LC-1080A-P-4W	45.4	61	69	39.5	58.6	48.8	65.6	74.3	42.5	63
U-LC-1080A-P-7W	49.7	66.7	75.6	43.2	64.1	53.5	71.8	81.3	46.5	69
U-LC-1080B	59.3	81.1	92.7	50.9	77.7	64	87.7	100.2	55.1	84.1
U-LC-1080B-P-2W	39.6	54.2	61.9	34	51.9	42.8	58.6	66.9	36.8	56.2
U-LC-1080B-P-4W	47.4	64.9	74.1	40.7	62.1	51.2	70.1	80.1	44	67.2
U-LC-1080B-P-7W	51.9	71.1	81.1	44.6	68	56.1	76.8	87.8	48.2	73.6
U-LC-1080C	67.5	91.1	103.5	58.5	87.5	72.7	98.2	111.6	63	94.4
U-LC-1080C-P-2W	45	60.8	69.1	39	58.4	48.5	65.6	74.5	42	63
U-LC-1080C-P-4W	54	73	82.9	46.8	70.1	58.2	78.7	89.4	50.4	75.6
U-LC-1080C-P-7W	59	79.7	90.5	51.1	76.5	63.6	85.9	97.6	55.1	82.5
U-LC-1080D	72.6	97	109.8	63.2	93.2	77.9	104.3	118	67.9	100.3
U-LC-1080D-P-2W	48.4	64.8	73.3	42.2	62.3	52	69.6	78.8	45.3	67
U-LC-1080D-P-4W	58	77.6	87.7	50.5	74.5	62.3	83.4	94.4	54.3	80.2
U-LC-1080D-P-7W	63.4	84.8	96	55.2	81.5	68.1	91.2	103.2	59.4	87.7
U-LC-1080E	76	103.5	117.9	65.5	99.2	82	111.8	127.4	70.8	107.3
U-LC-1080E-P-2W	50.7	69	78.6	43.7	66.1	54.7	74.5	85	47.2	71.5
U-LC-1080E-P-4W	60.8	82.8	94.3	52.4	79.4	65.6	89.4	101.9	56.6	85.8
U-LC-1080E-P-7W	66.5	90.6	103.2	57.4	86.9	71.8	97.9	111.5	62	93.9
U-LC-1090A	65.4	90.6	103.9	55.9	86.8	71	98.4	112.8	60.7	94.3
U-LC-1090A-P-2W	43.7	60.5	69.4	37.3	58	47.4	65.7	75.3	40.6	63
U-LC-1090A-P-4W	52.4	72.5	83.2	44.8	69.5	56.8	78.7	90.3	48.6	75.5
U-LC-1090A-P-7W	57.3	79.3	91	48.9	76	62.2	86.1	98.8	53.2	82.5
U-LC-1090B	66.5	93.5	107.8	56.3	89.3	72.4	101.8	117.4	61.5	97.4
U-LC-1090B-P-2W	44.3	62.4	71.9	37.6	59.6	48.3	67.9	78.3	41	65
U-LC-1090B-P-4W	53.1	74.7	86.2	45	71.4	57.9	81.4	93.9	49.1	77.9
U-LC-1090B-P-7W	58.2	81.8	94.3	49.3	78.2	63.4	89.1	102.8	53.8	85.3
U-LC-1090C	76.6	104.3	118.8	66.1	100	82.7	112.7	128.4	71.4	108.2
U-LC-1090C-P-2W	51.1	69.5	79.2	44.1	66.7	55.2	75.1	85.6	47.6	72.1
U-LC-1090C-P-4W	61.3	83.4	95	52.9	80	66.2	90.1	102.7	57.1	86.5
U-LC-1090C-P-7W	67	91.2	103.9	57.9	87.5	72.4	98.6	112.3	62.5	94.7
U-LC-1090D	85.2	115.8	131.8	73.7	111.2	92	125.1	142.4	79.6	120.2
U-LC-1090D-P-2W	56.9	77.2	87.9	49.1	74.2	61.4	83.4	95	53.1	80.2
U-LC-1090D-P-4W	68.2	92.6	105.4	58.9	88.9	73.6	100	113.9	63.6	96.1
U-LC-1090D-P-7W	74.6	101.3	115.3	64.4	97.3	80.5	109.4	124.6	69.6	105.2
U-LC-1090E	87.5	120.6	138.1	75	115.6	94.8	130.8	149.7	81.3	125.4
U-LC-1090E-P-2W	58.4	80.5	92.1	50	77.1	63.3	87.2	99.9	54.3	83.6
U-LC-1090E-P-4W	70.1	96.6	110.5	60	92.5	75.9	104.7	119.8	65.1	100.4
U-LC-1090E-P-7W	76.6	105.5	120.8	65.6	101.1	83	114.4	131	71.2	109.7
U-LC-1100A	66.6	93.8	108.3	56.4	89.7	72.6	102.3	118	61.6	97.8
U-LC-1100A-P-2W	44.5	62.7	72.3	37.7	59.9	48.5	68.3	78.8	41.1	65.3
U-LC-1100A-P-4W	53.3	75.1	86.7	45.2	71.8	58.2	81.9	94.5	49.3	78.3
U-LC-1100A-P-7W	58.2	82.1	94.7	49.3	78.4	63.5	89.4	103.2	53.8	85.6
U-LC-1100B	71.7	99.2	113.8	61.2	95	77.7	107.6	123.4	66.5	103.1
U-LC-1100B-P-2W	47.8	66.2	75.9	40.9	63.3	51.9	71.8	82.4	44.4	68.8
U-LC-1100B-P-4W	57.3	79.4	91	49	76	62.2	86.1	98.8	53.2	82.5
U-LC-1100B-P-7W	62.8	86.9	99.6	53.6	83.2	68.1	94.3	108.1	58.2	90.3
U-LC-1100C	79.7	108.4	123.5	68.8	104	86	117.1	133.4	74.3	112.4
U-LC-1100C-P-2W	53.2	72.3	82.4	45.9	69.4	57.4	78.1	89	49.5	75
U-LC-1100C-P-4W	63.7	86.7	98.7	55	83.1	68.8	93.6	106.7	59.4	89.9
U-LC-1100C-P-7W	69.8	94.9	108.1	60.2	91.1	75.3	102.5	116.8	65	98.5
U-LC-1100D	87.6	120.9	138.5	75	115.8	95	131.2	150.2	81.4	125.8
U-LC-1100D-P-2W	58.5	80.7	92.5	50.1	77.3	63.4	87.5	100.3	54.3	83.9
U-LC-1100D-P-4W	70.1	96.8	110.8	60	92.7	76	105	120.2	65.2	100.6
U-LC-1100D-P-7W	76.7	105.9	121.3	65.7	101.4	83.2	114.8	131.5	71.3	110.1
U-LC-1100E	93.5	129.3	148.2	80	123.8	101.4	140.3	160.8	86.8	134.5
U-LC-1100E-P-2W	62.3	86.2	98.8	53.3	82.6	67.6	93.5	107.2	57.9	89.7
U-LC-1100E-P-4W	74.9	103.5	118.7	64	99.1	81.2	112.3	128.7	69.5	107.7
U-LC-1100E-P-7W	81.8	113.2	129.7	70	108.4	88.8	122.8	140.7	76	117.7



STD-201RS Table 3b - SI Units - Cooling Towers (CT)

Condition Reference #	21	22	23	24	25	26	27	28	29	30
Wet Bulb °C	21	21	21	21	21	24	24	24	24	24
Range °C	6	6	6	8	8	6	6	6	8	8
Approach °C	4	6	7	4	7	4	6	7	4	7
Inlet Water Temperature °C	31	33	34	33	36	34	36	37	36	39
Outlet Water Temperature °C	25	27	28	25	28	28	30	31	28	31
	L/S									
U-LC-1010C	9.2	14	16.6	7.4	13.2	10.8	16.4	19.5	8.8	15.6
U-LC-1010C-P-2W	6.1	9.4	11.1	5	8.9	7.3	11	13	5.9	10.5
U-LC-1010C-P-4W	7.3	11.2	13.3	5.9	10.6	8.7	13.1	15.6	7.1	12.5
U-LC-1010C-P-7W	8	12.2	14.4	6.4	11.5	9.4	14.3	16.9	7.7	13.6
U-LC-1012C	10.5	16.2	19.3	8.4	15.3	12.5	19.1	22.7	10.1	18.1
U-LC-1012C-P-2W	7	10.8	12.9	5.6	10.2	8.3	12.7	15.1	6.7	12
U-LC-1012C-P-4W	8.4	12.9	15.4	6.7	12.2	9.9	15.2	18.1	8	14.4
U-LC-1012C-P-7W	9.2	14.2	17	7.4	13.4	11	16.8	19.9	8.9	15.9
U-LC-1012D	12.7	18.9	22.2	10.5	17.9	14.9	22	25.8	12.3	20.9
U-LC-1012D-P-2W	8.4	12.5	14.8	6.9	11.9	9.9	14.6	17.1	8.1	13.9
U-LC-1012D-P-4W	10.1	15	17.7	8.3	14.3	11.8	17.5	20.6	9.8	16.6
U-LC-1012D-P-7W	11.2	16.5	19.5	9.2	15.7	13	19.3	22.6	10.8	18.3
U-LC-1015B	9.7	15.6	18.9	7.6	14.7	11.7	18.7	22.5	9.3	17.6
U-LC-1015B-P-2W	6.4	10.4	12.5	5	9.7	7.8	12.4	15	6.1	11.7
U-LC-1015B-P-4W	7.7	12.4	15.1	6	11.7	9.3	14.9	17.9	7.4	14
U-LC-1015B-P-7W	8.5	13.7	16.6	6.7	12.9	10.3	16.4	19.8	8.1	15.5
U-LC-1015C	12.1	18.8	22.6	9.7	17.8	14.4	22.3	26.6	11.6	21.1
U-LC-1015C-P-2W	8	12.5	15	6.4	11.8	9.6	14.8	17.7	7.7	14
U-LC-1015C-P-4W	9.7	15.1	18.1	7.8	14.3	11.6	17.9	21.3	9.3	16.9
U-LC-1015C-P-7W	10.7	16.6	19.8	8.5	15.6	12.7	19.6	23.4	10.2	18.6
U-LC-1015D	14.4	21.9	26	11.7	20.7	17	25.7	30.5	13.8	24.4
U-LC-1015D-P-2W	9.6	14.7	17.4	7.8	13.9	11.4	17.2	20.4	9.3	16.3
U-LC-1015D-P-4W	11.5	17.4	20.7	9.3	16.5	13.5	20.5	24.3	11	19.4
U-LC-1015D-P-7W	12.5	19.1	22.7	10.2	18.1	14.8	22.4	26.6	12	21.3
U-LC-1015E	16	24.1	28.4	13.1	22.8	18.8	28.1	33.2	15.4	26.7
U-LC-1015E-P-2W	10.7	16.1	19	8.8	15.3	12.6	18.8	22.2	10.3	17.9
U-LC-1015E-P-4W	12.8	19.2	22.7	10.5	18.2	15.1	22.5	26.5	12.3	21.4
U-LC-1015E-P-7W	14	21.1	24.9	11.5	20	16.5	24.6	29.1	13.5	23.4
U-LC-1017B	12.6	19.9	23.8	10	18.8	15.2	23.6	28.2	12.1	22.4
U-LC-1017B-P-2W	8.4	13.3	15.9	6.7	12.5	10.1	15.8	18.8	8.1	14.9
U-LC-1017B-P-4W	10.1	15.8	19	8	15	12.1	18.8	22.5	9.7	17.8
U-LC-1017B-P-7W	11.1	17.5	20.9	8.8	16.5	13.4	20.8	24.7	10.7	19.7
U-LC-1017C	15.8	24.3	28.8	12.7	23	18.8	28.6	33.8	15.3	27.2
U-LC-1017C-P-2W	10.6	16.2	19.3	8.5	15.4	12.6	19.1	22.6	10.2	18.2
U-LC-1017C-P-4W	12.6	19.3	23	10.1	18.3	15	22.8	27	12.1	21.7
U-LC-1017C-P-7W	13.9	21.3	25.3	11.2	20.2	16.5	25.1	29.7	13.4	23.9
U-LC-1017D	18.4	27.7	32.7	15	26.3	21.7	32.4	38.1	17.8	30.9
U-LC-1017D-P-2W	12.2	18.4	21.7	10	17.5	14.4	21.5	25.4	11.8	20.5
U-LC-1017D-P-4W	14.8	22.2	26.2	12	21.1	17.4	26	30.6	14.3	24.8
U-LC-1017D-P-7W	16.1	24.2	28.6	13.1	23	19	28.3	33.3	15.5	27
U-LC-1017E	21.2	31.4	36.9	17.5	29.9	24.9	36.6	42.9	20.6	35
U-LC-1017E-P-2W	14.1	20.9	24.5	11.6	19.9	16.5	24.3	28.5	13.7	23.2
U-LC-1017E-P-4W	16.9	25.1	29.4	13.9	23.9	19.8	29.2	34.2	16.4	27.9
U-LC-1017E-P-7W	18.6	27.6	32.4	15.3	26.3	21.8	32.1	37.6	18.1	30.7
U-LC-1020B	17.5	25.3	29.4	14.6	24.1	20.3	29.2	33.9	17	27.9
U-LC-1020B-P-2W	11.6	16.8	19.6	9.7	16	13.5	19.4	22.5	11.3	18.5
U-LC-1020B-P-4W	14	20.2	23.5	11.7	19.3	16.2	23.3	27.1	13.6	22.3
U-LC-1020B-P-7W	15.3	22	25.7	12.8	21	17.7	25.5	29.6	14.8	24.3
U-LC-1020C	19.9	28.8	33.6	16.6	27.5	23.1	33.3	38.7	19.3	31.8
U-LC-1020C-P-2W	13.2	19.1	22.3	11	18.3	15.3	22.1	25.7	12.8	21.1
U-LC-1020C-P-4W	15.9	23.1	26.9	13.3	22	18.5	26.6	31	15.5	25.4
U-LC-1020C-P-7W	17.5	25.3	29.4	14.6	24.1	20.2	29.2	33.9	16.9	27.9
U-LC-1020D	22	31.8	37	18.4	30.3	25.4	36.6	42.6	21.3	35
U-LC-1020D-P-2W	14.7	21.2	24.7	12.3	20.2	17	24.5	28.5	14.3	23.4
U-LC-1020D-P-4W	17.6	25.5	29.7	14.8	24.3	20.4	29.4	34.2	17.1	28.1
U-LC-1020D-P-7W	19.3	27.8	32.4	16.1	26.6	22.3	32.1	37.4	18.7	30.7
U-LC-1020E	25.3	36.1	41.8	21.3	34.5	29.1	41.4	48	24.5	39.7
U-LC-1020E-P-2W	16.9	24.1	28	14.2	23	19.4	27.7	32.1	16.4	26.5
U-LC-1020E-P-4W	20.2	28.9	33.5	17	27.6	23.3	33.2	38.5	19.7	31.8
U-LC-1020E-P-7W	22.2	31.6	36.7	18.7	30.2	25.5	36.3	42.1	21.5	34.8
U-LC-1022B	20.1	29.2	34.1	16.7	27.9	23.3	33.8	39.4	19.5	32.3
U-LC-1022B-P-2W	13.3	19.4	22.7	11.1	18.5	15.5	22.5	26.2	12.9	21.5
U-LC-1022B-P-4W	16	23.3	27.2	13.3	22.2	18.6	27	31.4	15.5	25.8
U-LC-1022B-P-7W	17.5	25.5	29.8	14.6	24.3	20.4	29.5	34.4	17	28.2
U-LC-1022C	24.8	35.4	41	20.9	33.8	28.6	40.7	47.1	24.1	39
U-LC-1022C-P-2W	16.5	23.6	27.3	13.9	22.6	19.1	27.1	31.4	16.1	26
U-LC-1022C-P-4W	19.9	28.4	32.9	16.8	27.1	22.9	32.6	37.7	19.4	31.3
U-LC-1022C-P-7W	21.7	30.9	35.8	18.3	29.6	25	35.6	41.2	21.1	34.1
U-LC-1022D	28.1	39.5	45.5	23.9	37.9	32.2	45.2	52	27.4	43.4
U-LC-1022D-P-2W	18.8	26.4	30.4	16	25.3	21.5	30.2	34.7	18.3	29
U-LC-1022D-P-4W	22.5	31.6	36.4	19.1	30.3	25.7	36.1	41.6	21.9	34.7
U-LC-1022D-P-7W	24.6	34.5	39.7	20.9	33.1	28.1	39.4	45.4	24	37.9
U-LC-1022E	33.1	45.7	52.3	28.4	43.9	37.6	51.9	59.4	32.3	49.9
U-LC-1022E-P-2W	22.1	30.5	34.9	19	29.3	25.1	34.7	39.7	21.6	33.3

STD-201RS Table 3b - SI Units - Cooling Towers (CT)

Condition Reference #	21	22	23	24	25	26	27	28	29	30
Wet Bulb °C	21	21	21	21	21	24	24	24	24	24
Range °C	6	6	6	8	8	6	6	6	8	8
Approach °C	4	6	7	4	7	4	6	7	4	7
Inlet Water Temperature °C	31	33	34	33	36	34	36	37	36	39
Outlet Water Temperature °C	25	27	28	25	28	28	30	31	28	31
	L/S									
U-LC-1022E-P-4W	26.5	36.6	41.9	22.8	35.2	30.1	41.6	47.6	25.9	40
U-LC-1022E-P-7W	28.9	39.9	45.7	24.8	38.4	32.9	45.3	51.9	28.2	43.6
U-LC-1025B	24.8	35.4	41	20.9	33.8	28.6	40.7	47.1	24.1	39
U-LC-1025B-P-2W	16.5	23.6	27.3	13.9	22.6	19.1	27.1	31.4	16.1	26
U-LC-1025B-P-4W	19.9	28.4	32.9	16.8	27.1	22.9	32.6	37.7	19.4	31.3
U-LC-1025B-P-7W	21.7	30.9	35.8	18.3	29.6	25	35.6	41.2	21.1	34.1
U-LC-1025C	28.1	39.5	45.5	23.9	37.9	32.2	45.2	52	27.4	43.4
U-LC-1025C-P-2W	18.8	26.4	30.4	16	25.3	21.5	30.2	34.7	18.3	29
U-LC-1025C-P-4W	22.5	31.6	36.4	19.1	30.3	25.7	36.1	41.6	21.9	34.7
U-LC-1025C-P-7W	24.6	34.5	39.7	20.9	33.1	28.1	39.4	45.4	24	37.9
U-LC-1025D	33.1	45.7	52.3	28.4	43.9	37.6	51.9	59.4	32.3	49.9
U-LC-1025D-P-2W	22.1	30.5	34.9	19	29.3	25.1	34.7	39.7	21.6	33.3
U-LC-1025D-P-4W	26.5	36.6	41.9	22.8	35.2	30.1	41.6	47.6	25.9	40
U-LC-1025D-P-7W	28.9	39.9	45.7	24.8	38.4	32.9	45.3	51.9	28.2	43.6
U-LC-1025E	36.9	50.5	57.7	31.8	48.6	41.8	57.2	65.3	36.1	55
U-LC-1025E-P-2W	24.6	33.7	38.4	21.2	32.4	27.8	38.1	43.5	24	36.7
U-LC-1025E-P-4W	29.5	40.3	46	25.4	38.8	33.4	45.7	52.1	28.8	44
U-LC-1025E-P-7W	32.3	44.2	50.4	27.8	42.5	36.5	50	57.1	31.6	48.2
U-LC-1030A	22	32.2	37.8	18.3	30.6	25.5	37.3	43.7	21.2	35.4
U-LC-1030A-P-2W	14.6	21.4	25.1	12.1	20.3	17	24.8	29	14.1	23.6
U-LC-1030A-P-4W	17.7	25.8	30.3	14.6	24.5	20.4	29.9	35	17	28.4
U-LC-1030A-P-7W	19.3	28.2	33	16	26.7	22.3	32.6	38.2	18.5	31
U-LC-1030B	25.8	37.3	43.5	21.5	35.4	29.7	42.9	50	24.8	40.8
U-LC-1030B-P-2W	17.2	24.9	29	14.4	23.6	19.8	28.6	33.3	16.6	27.2
U-LC-1030B-P-4W	20.6	29.8	34.7	17.2	28.3	23.7	34.3	40	19.9	32.6
U-LC-1030B-P-7W	22.6	32.7	38.1	18.9	31.1	26.1	37.6	43.9	21.8	35.8
U-LC-1030C	28.8	41.3	48	24.2	39.3	33.1	47.3	55	27.8	45.1
U-LC-1030C-P-2W	19.3	27.6	32	16.2	26.2	22.1	31.6	36.7	18.6	30.1
U-LC-1030C-P-4W	23.1	33.1	38.4	19.4	31.5	26.5	37.9	44	22.3	36.1
U-LC-1030C-P-7W	27.4	37.1	42.1	24	35.9	31.1	42	47.6	27.2	40.8
U-LC-1030D	33.9	47.8	55.3	28.6	45.6	38.7	54.6	63.1	32.7	52.1
U-LC-1030D-P-2W	22.6	32	36.9	19.1	30.5	25.8	36.5	42.2	21.8	34.8
U-LC-1030D-P-4W	27.1	38.3	44.3	22.9	36.6	31	43.8	50.6	26.2	41.8
U-LC-1030D-P-7W	29.6	41.8	48.3	25	39.9	33.8	47.7	55.2	28.6	45.5
U-LC-1030E	36.5	51.2	59.1	31	48.9	41.6	58.3	67.2	35.3	55.7
U-LC-1030E-P-2W	24.4	34.2	39.4	20.7	32.6	27.8	38.9	44.9	23.6	37.2
U-LC-1030E-P-4W	29.2	41	47.3	24.8	39.1	33.2	46.6	53.8	28.2	44.5
U-LC-1030E-P-7W	32	44.8	51.7	27.1	42.8	36.3	51	58.8	30.9	48.7
U-LC-1035A	27.4	38.8	45	23.1	37.1	31.3	44.5	51.5	26.5	42.5
U-LC-1035A-P-2W	18.3	26	30.1	15.4	24.8	20.9	29.7	34.4	17.7	28.4
U-LC-1035A-P-4W	21.9	31.1	36	18.5	29.7	25.1	35.6	41.2	21.2	34
U-LC-1035A-P-7W	24	34	39.4	20.2	32.5	27.5	39	45.1	23.2	37.2
U-LC-1035B	32.2	45.1	52	27.4	43.1	36.7	51.4	59.2	31.2	49.2
U-LC-1035B-P-2W	21.4	30	34.6	18.2	28.7	24.4	34.2	39.4	20.8	32.7
U-LC-1035B-P-4W	25.8	36.1	41.6	21.9	34.5	29.4	41.1	47.3	25	39.3
U-LC-1035B-P-7W	28.3	39.6	45.6	24	37.8	32.2	45	51.9	27.4	43.1
U-LC-1035C	36	49.8	57.1	30.8	47.7	40.8	56.5	64.8	35	54.1
U-LC-1035C-P-2W	24	33.2	38.1	20.6	31.8	27.2	37.7	43.2	23.3	36.1
U-LC-1035C-P-4W	28.8	39.9	45.7	24.7	38.2	32.7	45.2	51.8	28	43.3
U-LC-1035C-P-7W	31.5	43.5	49.9	26.9	41.7	35.7	49.4	56.6	30.5	47.3
U-LC-1035D	40	55.9	64.4	34.1	53.5	45.5	63.6	73.3	38.8	60.9
U-LC-1035D-P-2W	26.7	37.3	43	22.7	35.7	30.4	42.5	48.9	25.9	40.7
U-LC-1035D-P-4W	32.1	44.8	51.6	27.3	42.8	36.5	51	58.7	31.1	48.8
U-LC-1035D-P-7W	35.1	49	56.4	29.8	46.8	39.9	55.7	64.2	34	53.3
U-LC-1035E	43.1	60.9	70.4	36.4	58.1	49.2	69.6	80.4	41.7	66.5
U-LC-1035E-P-2W	28.7	40.5	46.8	24.2	38.7	32.8	46.3	53.5	27.7	44.3
U-LC-1035E-P-4W	34.4	48.6	56.2	29.1	46.4	39.3	55.6	64.2	33.3	53.1
U-LC-1035E-P-7W	37.7	53.3	61.6	31.9	50.9	43.1	60.9	70.4	36.5	58.2
U-LC-1040A	28.3	40.6	47.2	23.7	38.7	32.6	46.7	54.2	27.4	44.6
U-LC-1040A-P-2W	18.9	27.1	31.5	15.9	25.9	21.8	31.2	36.2	18.3	29.8
U-LC-1040A-P-4W	22.6	32.4	37.7	18.9	30.9	26	37.3	43.3	21.9	35.6
U-LC-1040A-P-7W	24.7	35.5	41.3	20.7	33.8	28.5	40.8	47.4	23.9	39
U-LC-1040B	33.2	47.1	54.5	28.1	45	38.1	53.9	62.4	32.2	51.6
U-LC-1040B-P-2W	22.2	31.5	36.4	18.8	30.1	25.4	36	41.7	21.5	34.4
U-LC-1040B-P-4W	26.6	37.6	43.6	22.4	36	30.4	43.1	49.9	25.7	41.2
U-LC-1040B-P-7W	29.1	41.3	47.7	24.6	39.4	33.4	47.2	54.6	28.2	45.2
U-LC-1040C	36.9	51.8	59.8	31.3	49.6	42.1	59.2	68.3	35.8	56.6
U-LC-1040C-P-2W	24.6	34.6	39.9	20.8	33	28.1	39.4	45.5	23.8	37.8
U-LC-1040C-P-4W	29.5	41.5	47.9	25	39.6	33.7	47.3	54.6	28.6	45.3
U-LC-1040C-P-7W	32.3	45.4	52.4	27.4	43.5	36.9	51.9	59.8	31.4	49.7
U-LC-1040D	42.3	58.9	67.8	36.1	56.4	48.1	67	77.1	41.1	64.2
U-LC-1040D-P-2W	28.2	39.3	45.2	24	37.6	32.1	44.7	51.4	27.4	42.8
U-LC-1040D-P-4W	33.8	47.1	54.2	28.8	45.1	38.5	53.6	61.6	32.8	51.3
U-LC-1040D-P-7W	37.1	51.6	59.4	31.6	49.4	42.2	58.7	67.5	36	56.3

STD-201RS Table 3b - SI Units - Cooling Towers (CT)

Condition Reference #	21	22	23	24	25	26	27	28	29	30
Wet Bulb °C	21	21	21	21	21	24	24	24	24	24
Range °C	6	6	6	8	8	6	6	6	8	8
Approach °C	4	6	7	4	7	4	6	7	4	7
Inlet Water Temperature °C	31	33	34	33	36	34	36	37	36	39
Outlet Water Temperature °C	25	27	28	25	28	28	30	31	28	31
	L/S									
U-LC-1040E	47	65	74.5	40.2	62.3	53.3	73.7	84.5	45.6	70.7
U-LC-1040E-P-2W	31.3	43.3	49.7	26.8	41.5	35.5	49.1	56.3	30.4	47.1
U-LC-1040E-P-4W	37.6	52.1	59.7	32.2	49.9	42.7	59	67.7	36.6	56.6
U-LC-1040E-P-7W	41.2	56.9	65.3	35.2	54.6	46.7	64.6	74.1	40	61.9
U-LC-1045A	37.9	54.7	63.7	31.7	52.1	43.8	63.1	73.4	36.7	60.2
U-LC-1045A-P-2W	25.3	36.5	42.5	21.1	34.8	29.2	42.1	49	24.5	40.2
U-LC-1045A-P-4W	30.4	43.8	51	25.4	41.8	35.1	50.5	58.8	29.4	48.3
U-LC-1045A-P-7W	33.2	47.9	55.8	27.7	45.7	38.3	55.2	64.3	32.1	52.7
U-LC-1045B	40.1	58.4	68.1	33.4	55.6	46.5	67.5	78.7	38.9	64.4
U-LC-1045B-P-2W	26.8	38.9	45.4	22.3	37.1	31	45	52.5	25.9	42.9
U-LC-1045B-P-4W	32.1	46.7	54.5	26.7	44.5	37.2	54	62.9	31.1	51.5
U-LC-1045B-P-7W	35.1	51.1	59.6	29.3	48.7	40.7	59	68.9	34	56.4
U-LC-1045C	44.2	64.6	75.5	36.7	61.5	51.4	74.8	87.4	42.8	71.4
U-LC-1045C-P-2W	29.4	43	50.3	24.4	40.9	34.2	49.8	58.2	28.5	47.5
U-LC-1045C-P-4W	35.3	51.6	60.3	29.3	49.1	41	59.8	69.8	34.2	57
U-LC-1045C-P-7W	38.7	56.5	66.1	32.1	53.8	44.9	65.4	76.4	37.4	62.4
U-LC-1045D	46	67.9	79.7	37.9	64.5	53.6	78.9	92.5	44.4	75.1
U-LC-1045D-P-2W	30.6	45.2	53.1	25.3	43	35.7	52.6	61.7	29.6	50.1
U-LC-1045D-P-4W	36.8	54.3	63.8	30.3	51.6	42.9	63.1	74	35.5	60.1
U-LC-1045D-P-7W	40.2	59.3	69.7	33.1	56.4	46.8	68.9	80.9	38.8	65.7
U-LC-1045E	50.9	72.9	84.8	42.7	69.5	58.5	83.8	97.3	49.2	80
U-LC-1045E-P-2W	34	48.7	56.6	28.5	46.4	39.1	55.9	65	32.8	53.4
U-LC-1045E-P-4W	40.8	58.4	67.9	34.2	55.7	46.9	67.1	78	39.4	64.1
U-LC-1045E-P-7W	44.6	63.9	74.2	37.4	60.9	51.3	73.4	85.3	43.1	70.1
U-LC-1050A	47.1	64.9	74.3	40.4	62.4	53.5	73.7	84.4	46	70.9
U-LC-1050A-P-2W	31.4	43.3	49.6	27	41.6	35.6	49.1	56.3	30.7	47.3
U-LC-1050A-P-4W	37.7	52	59.6	32.4	50	42.8	59	67.6	36.8	56.8
U-LC-1050A-P-7W	41.3	56.9	65.1	35.5	54.7	46.9	64.6	73.9	40.3	62.1
U-LC-1050B	49.8	69.1	79.2	42.7	66.3	56.7	78.6	90.1	48.7	75.5
U-LC-1050B-P-2W	33.3	46.1	52.9	28.5	44.3	37.9	52.4	60.1	32.5	50.4
U-LC-1050B-P-4W	39.9	55.3	63.5	34.2	53.1	45.4	62.9	72.2	39	60.5
U-LC-1050B-P-7W	43.6	60.4	69.2	37.3	58	49.6	68.7	78.7	42.5	66
U-LC-1050C	55.6	77.5	89.1	47.5	74.4	63.5	88.3	101.5	54.3	84.9
U-LC-1050C-P-2W	37.1	51.7	59.4	31.7	49.6	42.3	58.9	67.6	36.2	56.6
U-LC-1050C-P-4W	44.6	62.1	71.3	38.1	59.6	50.9	70.7	81.3	43.5	68
U-LC-1050C-P-7W	48.7	67.8	77.9	41.6	65.1	55.5	77.3	88.7	47.5	74.3
U-LC-1050D	60.1	84	96.7	51.2	80.6	68.7	95.9	110.3	58.7	92.2
U-LC-1050D-P-2W	40.1	56	64.5	34.1	53.8	45.8	64	73.6	39.1	61.4
U-LC-1050D-P-4W	48.1	67.3	77.4	41	64.5	55	76.8	88.3	47	73.8
U-LC-1050D-P-7W	52.6	73.5	84.6	44.8	70.5	60.1	83.9	96.5	51.3	80.6
U-LC-1050E	63.4	89	102.5	53.9	85.4	72.6	101.7	117.2	61.9	97.7
U-LC-1050E-P-2W	42.3	59.3	68.4	35.9	56.9	48.4	67.8	78.1	41.2	65.2
U-LC-1050E-P-4W	50.7	71.2	82.1	43.2	68.3	58.1	81.4	93.8	49.5	78.2
U-LC-1050E-P-7W	55.5	77.9	89.8	47.2	74.8	63.6	89.1	102.6	54.2	85.6
U-LC-1060A	51.8	68.4	77	45.5	66	57.7	76.3	85.9	50.7	73.6
U-LC-1060A-P-2W	34.5	45.5	51.3	30.3	44	38.4	50.8	57.2	33.7	49
U-LC-1060A-P-4W	41.4	54.7	61.6	36.4	52.8	46.1	61	68.7	40.5	58.9
U-LC-1060A-P-7W	45.4	59.9	67.5	39.9	57.9	50.6	66.8	75.3	44.4	64.5
U-LC-1060B	54.9	73.1	82.5	48	70.4	61.3	81.7	92.3	53.7	78.8
U-LC-1060B-P-2W	36.6	48.7	55	32	47	40.9	54.5	61.5	35.8	52.5
U-LC-1060B-P-4W	43.9	58.4	65.9	38.4	56.3	49	65.3	73.8	42.9	63
U-LC-1060B-P-7W	48	63.9	72.2	42	61.6	53.7	71.5	80.8	47	68.9
U-LC-1060C	61.8	83	94	53.8	79.9	69.3	93.1	105.5	60.3	89.7
U-LC-1060C-P-2W	41.2	55.4	62.8	35.9	53.3	46.2	62.1	70.4	40.3	59.8
U-LC-1060C-P-4W	49.5	66.4	75.3	43.1	63.9	55.4	74.5	84.5	48.3	71.8
U-LC-1060C-P-7W	54.1	72.6	82.3	47.1	69.9	60.6	81.5	92.4	52.8	78.5
U-LC-1060D	69.4	92.8	105.1	60.6	89.4	77.7	104	117.7	67.8	100.2
U-LC-1060D-P-2W	46.3	62	70.1	40.4	59.7	51.9	69.4	78.5	45.3	66.9
U-LC-1060D-P-4W	55.5	74.3	84	48.5	71.5	62.2	83.2	94.2	54.2	80.2
U-LC-1060D-P-7W	60.7	81.2	91.9	53	78.2	68	91	103	59.3	87.7
U-LC-1060E	75.8	101	114.1	66.3	97.3	84.7	112.9	127.6	74.1	108.9
U-LC-1060E-P-2W	50.6	67.3	76	44.2	64.9	56.5	75.3	85.1	49.4	72.6
U-LC-1060E-P-4W	60.6	80.7	91.2	53	77.8	67.8	90.3	102	59.3	87.1
U-LC-1060E-P-7W	66.4	88.4	99.9	58.1	85.3	74.2	98.9	111.8	64.9	95.4
U-LC-1070A	58.6	77.5	87.3	51.4	74.7	65.2	86.3	97.3	57.1	83.2
U-LC-1070A-P-2W	39.1	51.7	58.3	34.3	49.8	43.5	57.6	64.9	38.1	55.5
U-LC-1070A-P-4W	46.9	62	69.8	41.1	59.7	52.2	69.1	77.8	45.7	66.6
U-LC-1070A-P-7W	51.2	67.8	76.3	44.9	65.3	57	75.5	85.1	50	72.8
U-LC-1070B	64.8	87.1	98.7	56.4	83.8	72.6	97.7	110.8	63.2	94
U-LC-1070B-P-2W	43.2	58.1	65.8	37.6	55.9	48.4	65.1	73.9	42.1	62.7
U-LC-1070B-P-4W	51.8	69.6	79	45.1	67	58.1	78.1	88.6	50.5	75.2
U-LC-1070B-P-7W	56.7	76.2	86.4	49.3	73.3	63.6	85.5	97	55.3	82.3
U-LC-1070C	70.9	97	110.8	61.1	93.2	80.1	109.7	125.2	69.1	105.4
U-LC-1070C-P-2W	47.3	64.7	73.9	40.7	62.1	53.4	73.1	83.5	46	70.2

STD-201RS Table 3b - SI Units - Cooling Towers (CT)

Condition Reference #	21	22	23	24	25	26	27	28	29	30
Wet Bulb °C	21	21	21	21	21	24	24	24	24	24
Range °C	6	6	6	8	8	6	6	6	8	8
Approach °C	4	6	7	4	7	4	6	7	4	7
Inlet Water Temperature °C	31	33	34	33	36	34	36	37	36	39
Outlet Water Temperature °C	25	27	28	25	28	28	30	31	28	31
	L/S									
U-LC-1070C-P-4W	56.8	77.7	88.7	48.9	74.6	64.2	87.8	100.3	55.3	84.4
U-LC-1070C-P-7W	62	84.9	97	53.5	81.5	70.1	96	109.6	60.4	92.2
U-LC-1070D	73.7	99.6	113.2	63.9	95.8	82.8	112.1	127.4	71.8	107.8
U-LC-1070D-P-2W	49.2	66.5	75.6	42.6	63.9	55.3	74.8	85	47.9	71.9
U-LC-1070D-P-4W	59	79.8	90.7	51.2	76.7	66.3	89.7	102	57.5	86.3
U-LC-1070D-P-7W	64.5	87.2	99.1	55.9	83.9	72.5	98.1	111.5	62.9	94.4
U-LC-1070E	79.4	106.2	120.1	69.2	102.2	88.8	118.8	134.5	77.4	114.4
U-LC-1070E-P-2W	52.9	70.8	80.1	46.1	68.1	59.2	79.2	89.7	51.6	76.3
U-LC-1070E-P-4W	63.5	84.9	96.1	55.3	81.7	71	95	107.6	61.9	91.5
U-LC-1070E-P-7W	69.5	92.9	105.2	60.6	89.5	77.7	104	117.8	67.8	100.2
U-LC-1080A	68.2	91.7	104	59.4	88.2	76.5	102.9	116.7	66.5	99
U-LC-1080A-P-2W	45.6	61.3	69.5	39.7	58.9	51.1	68.7	77.9	44.5	66.1
U-LC-1080A-P-4W	54.6	73.4	83.2	47.5	70.6	61.2	82.3	93.3	53.2	79.2
U-LC-1080A-P-7W	59.8	80.3	91.1	52	77.3	67	90.1	102.2	58.3	86.7
U-LC-1080B	72.2	98.9	113	62.1	94.9	81.5	111.8	127.8	70.2	107.4
U-LC-1080B-P-2W	48.2	66.1	75.5	41.5	63.4	54.5	74.7	85.3	46.9	71.7
U-LC-1080B-P-4W	57.7	79.1	90.3	49.6	75.9	65.2	89.4	102.1	56.1	85.8
U-LC-1080B-P-7W	63.2	86.6	99	54.4	83.1	71.4	97.9	111.9	61.5	94
U-LC-1080C	81.5	110.2	125.3	70.7	106	91.6	124	141	79.5	119.3
U-LC-1080C-P-2W	54.4	73.5	83.6	47.1	70.7	61.1	82.7	94.1	53	79.6
U-LC-1080C-P-4W	65.3	88.3	100.3	56.6	84.9	73.4	99.3	112.9	63.6	95.5
U-LC-1080C-P-7W	71.3	96.4	109.6	61.8	92.7	80.1	108.4	123.3	69.5	104.3
U-LC-1080D	87	116.6	132	75.8	112.2	97.4	130.6	147.9	84.9	125.7
U-LC-1080D-P-2W	58.1	77.8	88.1	50.6	74.9	65	87.2	98.7	56.7	83.9
U-LC-1080D-P-4W	69.5	93.2	105.5	60.6	89.7	77.8	104.4	118.2	67.8	100.5
U-LC-1080D-P-7W	76.1	101.9	115.4	66.3	98.1	85.1	114.2	129.3	74.2	109.9
U-LC-1080E	92.3	125.8	143.5	79.6	120.9	104.1	142	162	89.9	136.5
U-LC-1080E-P-2W	61.5	83.9	95.7	53.1	80.6	69.4	94.7	108	59.9	91
U-LC-1080E-P-4W	73.8	100.6	114.7	63.7	96.7	83.2	113.6	129.5	71.9	109.2
U-LC-1080E-P-7W	80.8	110.1	125.6	69.7	105.8	91.1	124.3	141.8	78.7	119.5
U-LC-1090A	80.5	111.6	128	69	107.1	91.6	126.9	145.5	78.6	121.9
U-LC-1090A-P-2W	53.8	74.5	85.4	46.1	71.5	61.2	84.7	97.1	52.5	81.4
U-LC-1090A-P-4W	64.5	89.3	102.4	55.2	85.7	73.3	101.5	116.4	62.9	97.6
U-LC-1090A-P-7W	70.5	97.6	112	60.4	93.7	80.2	111	127.3	68.8	106.7
U-LC-1090B	82.7	116.1	133.8	70.3	111.3	94.6	132.7	152.9	80.6	127.4
U-LC-1090B-P-2W	55.2	77.5	89.3	46.9	74.3	63.1	88.5	102	53.8	85
U-LC-1090B-P-4W	66.1	92.8	107	56.2	89	75.6	106.1	122.2	64.4	101.8
U-LC-1090B-P-7W	72.4	101.6	117.1	61.5	97.4	82.8	116.1	133.8	70.5	111.5
U-LC-1090C	93.1	126.8	144.6	80.4	121.9	105.1	143.2	163.3	90.8	137.7
U-LC-1090C-P-2W	62.1	84.6	96.4	53.6	81.3	70	95.5	108.8	60.5	91.8
U-LC-1090C-P-4W	74.5	101.5	115.7	64.3	97.5	84	114.6	130.6	72.6	110.2
U-LC-1090C-P-7W	81.5	111	126.5	70.4	106.7	91.9	125.3	142.8	79.5	120.5
U-LC-1090D	103.5	140.8	160.4	89.6	135.5	116.8	158.9	181.1	101.2	153
U-LC-1090D-P-2W	69.1	93.9	107	59.8	90.4	77.9	106	120.8	67.5	102.1
U-LC-1090D-P-4W	82.8	112.6	128.3	71.7	108.3	93.4	127.1	144.8	80.9	122.4
U-LC-1090D-P-7W	90.6	123.2	140.3	78.4	118.5	102.2	139.1	158.4	88.5	133.9
U-LC-1090E	107.3	148	169.4	92.1	142.1	121.8	167.9	192.2	104.6	161.3
U-LC-1090E-P-2W	71.6	98.7	113	61.5	94.8	81.2	112	128.2	69.8	107.6
U-LC-1090E-P-4W	85.9	118.4	135.6	73.8	113.7	97.5	134.4	153.9	83.8	129.1
U-LC-1090E-P-7W	93.9	129.4	148.2	80.6	124.3	106.5	146.9	168.2	91.5	141.1
U-LC-1100A	83	116.7	134.6	70.4	111.8	95	133.4	153.8	80.8	128
U-LC-1100A-P-2W	55.4	77.9	89.9	47	74.7	63.4	89.1	102.7	54	85.5
U-LC-1100A-P-4W	66.4	93.4	107.7	56.4	89.5	76.1	106.8	123.2	64.7	102.5
U-LC-1100A-P-7W	72.5	102	117.7	61.6	97.8	83.1	116.7	134.5	70.7	112
U-LC-1100B	88.1	122	139.9	75.4	117	100.1	138.6	158.9	85.8	133.1
U-LC-1100B-P-2W	58.8	81.4	93.3	50.3	78.1	66.8	92.5	106	57.3	88.8
U-LC-1100B-P-4W	70.5	97.6	111.9	60.3	93.6	80.1	110.9	127.1	68.7	106.5
U-LC-1100B-P-7W	77.1	106.8	122.5	66.1	102.5	87.7	121.4	139.2	75.2	116.5
U-LC-1100C	96.8	131.8	150.3	83.6	126.7	109.2	148.8	169.6	94.4	143.1
U-LC-1100C-P-2W	64.6	87.9	100.2	55.8	84.5	72.8	99.3	113.1	63	95.5
U-LC-1100C-P-4W	77.4	105.4	120.1	66.8	101.3	87.3	118.9	135.6	75.4	114.4
U-LC-1100C-P-7W	84.7	115.4	131.6	73.2	110.9	95.6	130.3	148.5	82.7	125.3
U-LC-1100D	107.6	148.5	170.1	92.3	142.6	122.1	168.6	193.1	104.9	162
U-LC-1100D-P-2W	71.8	99.1	113.6	61.6	95.2	81.5	112.5	128.9	70	108.1
U-LC-1100D-P-4W	86.1	118.8	136.1	73.9	114.1	97.7	134.9	154.5	84	129.7
U-LC-1100D-P-7W	94.2	130	148.9	80.8	124.8	106.9	147.6	169.1	91.8	141.8
U-LC-1100E	114.9	159	182.3	98.5	152.6	130.6	180.6	207	112.1	173.5
U-LC-1100E-P-2W	76.6	106	121.5	65.7	101.7	87.1	120.4	138	74.7	115.7
U-LC-1100E-P-4W	92	127.3	145.9	78.9	122.1	104.5	144.6	165.7	89.7	138.9
U-LC-1100E-P-7W	100.6	139.1	159.5	86.2	133.5	114.3	158	181.1	98	151.8

STD-201RS Table 3b - SI Units - Cooling Towers (CT)

Condition Reference #	31	32	33	34	35	36	37	38	39	40
Wet Bulb °C	27	27	27	27	27	29	29	29	29	29
Range °C	6	6	6	8	8	6	6	6	8	8
Approach °C	4	6	7	4	7	4	6	7	4	7
Inlet Water Temperature °C	37	39	40	39	42	39	41	42	41	44
Outlet Water Temperature °C	31	33	34	31	34	33	35	36	33	36
	L/S									
U-LC-1010C	12.9	19.3	22.8	10.5	18.4	14.4	21.5	25.4	11.8	20.5
U-LC-1010C-P-2W	8.6	13	15.3	7.1	12.3	9.7	14.4	17	7.9	13.8
U-LC-1010C-P-4W	10.3	15.5	18.2	8.4	14.7	11.5	17.2	20.3	9.5	16.4
U-LC-1010C-P-7W	11.2	16.8	19.9	9.1	16	12.5	18.8	22.1	10.3	17.9
U-LC-1012C	14.8	22.5	26.7	12	21.4	16.6	25.2	29.8	13.6	23.9
U-LC-1012C-P-2W	9.9	15	17.8	8	14.3	11.1	16.8	19.8	9	16
U-LC-1012C-P-4W	11.8	18	21.3	9.6	17.1	13.3	20.1	23.8	10.8	19.1
U-LC-1012C-P-7W	13	19.8	23.5	10.6	18.8	14.6	22.1	26.1	11.9	21
U-LC-1012D	17.4	25.6	30.1	14.4	24.4	19.3	28.4	33.3	16	27.1
U-LC-1012D-P-2W	11.5	17	20	9.5	16.2	12.8	18.8	22.1	10.6	18
U-LC-1012D-P-4W	13.8	20.4	23.9	11.5	19.4	15.4	22.6	26.5	12.8	21.6
U-LC-1012D-P-7W	15.2	22.4	26.3	12.6	21.4	16.9	24.9	29.1	14.1	23.7
U-LC-1015B	14.2	22.4	26.8	11.3	21.2	16.1	25.2	30.1	12.9	23.9
U-LC-1015B-P-2W	9.4	14.8	17.8	7.5	14	10.7	16.7	20	8.5	15.8
U-LC-1015B-P-4W	11.3	17.8	21.4	9	16.8	12.8	20.1	24	10.2	19
U-LC-1015B-P-7W	12.5	19.6	23.5	9.9	18.6	14.2	22.1	26.4	11.3	21
U-LC-1015C	17.2	26.4	31.4	13.9	25.1	19.4	29.6	35	15.7	28.1
U-LC-1015C-P-2W	11.4	17.5	20.9	9.2	16.6	12.9	19.6	23.3	10.4	18.7
U-LC-1015C-P-4W	13.8	21.2	25.2	11.2	20.1	15.6	23.7	28.1	12.6	22.5
U-LC-1015C-P-7W	15.2	23.2	27.6	12.3	22	17.1	26	30.8	13.9	24.7
U-LC-1015D	20.1	30.2	35.7	16.4	28.7	22.5	33.7	39.7	18.4	32.1
U-LC-1015D-P-2W	13.5	20.2	23.9	11	19.2	15.1	22.5	26.6	12.3	21.5
U-LC-1015D-P-4W	16	24.1	28.5	13.1	22.9	17.9	26.8	31.7	14.7	25.6
U-LC-1015D-P-7W	17.5	26.4	31.2	14.3	25.1	19.6	29.4	34.6	16.1	28
U-LC-1015E	22.1	32.9	38.7	18.2	31.3	24.7	36.6	43	20.4	34.9
U-LC-1015E-P-2W	14.8	22	25.9	12.2	21	16.5	24.5	28.7	13.6	23.3
U-LC-1015E-P-4W	17.7	26.3	31	14.6	25.1	19.7	29.3	34.4	16.3	27.9
U-LC-1015E-P-7W	19.4	28.8	33.9	16	27.4	21.6	32	37.6	17.8	30.5
U-LC-1017B	18.3	28	33.3	14.7	26.7	20.6	31.4	37.1	16.7	29.9
U-LC-1017B-P-2W	12.2	18.7	22.2	9.8	17.8	13.7	20.9	24.8	11.1	20
U-LC-1017B-P-4W	14.5	22.3	26.5	11.7	21.2	16.4	25	29.6	13.3	23.9
U-LC-1017B-P-7W	16	24.6	29.2	12.9	23.4	18.1	27.6	32.6	14.7	26.3
U-LC-1017C	22.4	33.7	39.7	18.3	32.1	25.1	37.5	44.1	20.6	35.9
U-LC-1017C-P-2W	15	22.5	26.5	12.2	21.5	16.8	25.1	29.5	13.8	24
U-LC-1017C-P-4W	17.8	26.9	31.7	14.6	25.6	20	29.9	35.2	16.4	28.6
U-LC-1017C-P-7W	19.7	29.6	34.8	16.1	28.2	22.1	33	38.7	18.1	31.5
U-LC-1017D	25.6	37.9	44.5	21.1	36.2	28.6	42.1	49.3	23.6	40.3
U-LC-1017D-P-2W	17	25.2	29.6	14	24.1	19	28	32.8	15.7	26.8
U-LC-1017D-P-4W	20.5	30.4	35.7	16.9	29.1	23	33.8	39.6	19	32.4
U-LC-1017D-P-7W	22.4	33.2	38.9	18.4	31.7	25	36.8	43.1	20.7	35.2
U-LC-1017E	29.2	42.7	49.8	24.3	40.9	32.5	47.2	55	27.1	45.3
U-LC-1017E-P-2W	19.4	28.4	33.1	16.1	27.2	21.6	31.4	36.6	18	30.1
U-LC-1017E-P-4W	23.3	34	39.7	19.4	32.6	25.9	37.7	43.9	21.6	36.2
U-LC-1017E-P-7W	25.6	37.4	43.7	21.3	35.9	28.5	41.5	48.3	23.8	39.8
U-LC-1020B	23.5	33.7	39.2	19.8	32.3	26	37.2	43.1	21.9	35.6
U-LC-1020B-P-2W	15.6	22.4	26	13.1	21.5	17.2	24.7	28.7	14.5	23.7
U-LC-1020B-P-4W	18.8	26.9	31.3	15.8	25.8	20.7	29.7	34.4	17.5	28.5
U-LC-1020B-P-7W	20.5	29.4	34.2	17.2	28.2	22.7	32.4	37.6	19.1	31.1
U-LC-1020C	26.8	38.5	44.7	22.5	36.9	29.6	42.4	49.2	24.9	40.7
U-LC-1020C-P-2W	17.8	25.6	29.7	14.9	24.5	19.7	28.2	32.7	16.5	27
U-LC-1020C-P-4W	21.4	30.8	35.8	18	29.5	23.7	33.9	39.4	19.9	32.5
U-LC-1020C-P-7W	23.5	33.7	39.2	19.7	32.3	25.9	37.2	43.2	21.8	35.6
U-LC-1020D	29.5	42.3	49.2	24.8	40.5	32.5	46.6	54.1	27.4	44.6
U-LC-1020D-P-2W	19.7	28.3	32.9	16.6	27.1	21.8	31.2	36.2	18.3	29.8
U-LC-1020D-P-4W	23.6	33.9	39.4	19.9	32.5	26.1	37.4	43.4	22	35.8
U-LC-1020D-P-7W	25.8	37.1	43.1	21.7	35.5	28.5	40.9	47.5	24	39.1
U-LC-1020E	33.6	47.7	55.2	28.4	45.7	37	52.4	60.6	31.3	50.3
U-LC-1020E-P-2W	22.4	31.9	36.9	19	30.5	24.7	35	40.5	20.9	33.6
U-LC-1020E-P-4W	26.9	38.2	44.2	22.7	36.6	29.6	42	48.6	25.1	40.3
U-LC-1020E-P-7W	29.4	41.8	48.4	24.9	40.1	32.4	46	53.2	27.4	44.1
U-LC-1022B	27.2	39.2	45.6	22.8	37.5	30.1	43.2	50.3	25.2	41.4
U-LC-1022B-P-2W	18	26.1	30.3	15.1	24.9	20	28.8	33.4	16.8	27.6
U-LC-1022B-P-4W	21.7	31.3	36.4	18.1	29.9	24	34.5	40.1	20.1	33.1
U-LC-1022B-P-7W	23.7	34.2	39.8	19.8	32.7	26.2	37.8	43.9	22	36.2
U-LC-1022C	33	46.8	54.1	28	45	36.4	51.5	59.4	30.9	49.5
U-LC-1022C-P-2W	22	31.2	36.1	18.6	30	24.3	34.3	39.6	20.6	33
U-LC-1022C-P-4W	26.5	37.5	43.4	22.4	36.1	29.2	41.3	47.6	24.8	39.7
U-LC-1022C-P-7W	28.9	40.9	47.3	24.5	39.3	31.8	45	52	27	43.2
U-LC-1022D	37	51.7	59.5	31.6	49.7	40.6	56.7	65.1	34.7	54.5
U-LC-1022D-P-2W	24.7	34.6	39.8	21.1	33.2	27.1	37.8	43.5	23.2	36.4
U-LC-1022D-P-4W	29.5	41.3	47.6	25.2	39.7	32.4	45.3	52.1	27.7	43.6
U-LC-1022D-P-7W	32.3	45.2	52	27.6	43.4	35.4	49.5	56.9	30.3	47.6
U-LC-1022E	42.8	59.1	67.6	36.9	56.9	46.8	64.4	73.8	40.3	62.1
U-LC-1022E-P-2W	28.6	39.5	45.2	24.6	38	31.3	43	49.3	26.9	41.5

STD-201RS Table 3b - SI Units - Cooling Towers (CT)

Condition Reference #	31	32	33	34	35	36	37	38	39	40
Wet Bulb °C	27	27	27	27	27	29	29	29	29	29
Range °C	6	6	6	8	8	6	6	6	8	8
Approach °C	4	6	7	4	7	4	6	7	4	7
Inlet Water Temperature °C	37	39	40	39	42	39	41	42	41	44
Outlet Water Temperature °C	31	33	34	31	34	33	35	36	33	36
	L/S									
U-LC-1022E-P-4W	34.3	47.3	54.2	29.6	45.6	37.5	51.7	59.1	32.3	49.7
U-LC-1022E-P-7W	37.4	51.6	59.1	32.2	49.7	40.9	56.3	64.5	35.2	54.2
U-LC-1025B	33	46.8	54.1	28	45	36.4	51.5	59.4	30.9	49.5
U-LC-1025B-P-2W	22	31.2	36.1	18.6	30	24.3	34.3	39.6	20.6	33
U-LC-1025B-P-4W	26.5	37.5	43.4	22.4	36.1	29.2	41.3	47.6	24.8	39.7
U-LC-1025B-P-7W	28.9	40.9	47.3	24.5	39.3	31.8	45	52	27	43.2
U-LC-1025C	37	51.7	59.5	31.6	49.7	40.6	56.7	65.1	34.7	54.5
U-LC-1025C-P-2W	24.7	34.6	39.8	21.1	33.2	27.1	37.8	43.5	23.2	36.4
U-LC-1025C-P-4W	29.5	41.3	47.6	25.2	39.7	32.4	45.3	52.1	27.7	43.6
U-LC-1025C-P-7W	32.3	45.2	52	27.6	43.4	35.4	49.5	56.9	30.3	47.6
U-LC-1025D	42.8	59.1	67.6	36.9	56.9	46.8	64.4	73.8	40.3	62.1
U-LC-1025D-P-2W	28.6	39.5	45.2	24.6	38	31.3	43	49.3	26.9	41.5
U-LC-1025D-P-4W	34.3	47.3	54.2	29.6	45.6	37.5	51.7	59.1	32.3	49.7
U-LC-1025D-P-7W	37.4	51.6	59.1	32.2	49.7	40.9	56.3	64.5	35.2	54.2
U-LC-1025E	47.4	64.9	74	41	62.5	51.6	70.6	80.6	44.6	68
U-LC-1025E-P-2W	31.6	43.2	49.4	27.3	41.6	34.4	47.1	53.7	29.8	45.3
U-LC-1025E-P-4W	37.9	51.8	59.1	32.7	49.9	41.2	56.4	64.4	35.6	54.3
U-LC-1025E-P-7W	41.5	56.8	64.8	35.8	54.7	45.2	61.8	70.5	39.1	59.5
U-LC-1030A	29.6	43.2	50.6	24.7	41.1	32.8	47.7	55.8	27.3	45.5
U-LC-1030A-P-2W	19.7	28.7	33.6	16.4	27.3	21.8	31.7	37.1	18.1	30.2
U-LC-1030A-P-4W	23.7	34.6	40.5	19.8	33	26.3	38.2	44.7	21.9	36.4
U-LC-1030A-P-7W	25.9	37.8	44.2	21.6	36	28.6	41.7	48.8	23.9	39.7
U-LC-1030B	34.3	49.5	57.7	28.7	47.2	37.8	54.5	63.5	31.7	52
U-LC-1030B-P-2W	22.9	33	38.4	19.2	31.4	25.2	36.3	42.3	21.1	34.6
U-LC-1030B-P-4W	27.4	39.6	46.1	23	37.7	30.2	43.5	50.7	25.3	41.5
U-LC-1030B-P-7W	30.1	43.4	50.6	25.2	41.4	33.2	47.8	55.6	27.8	45.6
U-LC-1030C	38.1	54.4	63.2	32	51.9	41.8	59.8	69.4	35.2	57.1
U-LC-1030C-P-2W	25.4	36.4	42.2	21.4	34.7	28	39.9	46.4	23.5	38.1
U-LC-1030C-P-4W	30.5	43.6	50.6	25.6	41.6	33.5	47.9	55.6	28.2	45.7
U-LC-1030C-P-7W	35.4	47.6	54	31	46.2	38.5	51.8	58.7	33.8	50.3
U-LC-1030D	44.2	62.5	72.2	37.5	59.7	48.4	68.4	79	41.1	65.4
U-LC-1030D-P-2W	29.5	41.7	48.2	25	39.9	32.4	45.7	52.8	27.4	43.7
U-LC-1030D-P-4W	35.5	50.1	57.9	30	47.8	38.8	54.8	63.3	32.9	52.4
U-LC-1030D-P-7W	38.6	54.6	63.1	32.7	52.1	42.3	59.7	69.1	35.9	57.1
U-LC-1030E	47.4	66.5	76.6	40.3	63.5	51.8	72.6	83.7	44	69.4
U-LC-1030E-P-2W	31.6	44.4	51.2	26.9	42.4	34.6	48.5	55.9	29.4	46.4
U-LC-1030E-P-4W	37.9	53.2	61.3	32.2	50.8	41.4	58.1	67	35.2	55.5
U-LC-1030E-P-7W	41.4	58.1	67	35.2	55.6	45.3	63.5	73.2	38.5	60.7
U-LC-1035A	36	51	59	30.4	48.8	39.5	56	64.7	33.4	53.5
U-LC-1035A-P-2W	24	34.1	39.4	20.3	32.6	26.4	37.4	43.3	22.3	35.8
U-LC-1035A-P-4W	28.8	40.9	47.3	24.4	39.1	31.6	44.8	51.8	26.8	42.9
U-LC-1035A-P-7W	31.5	44.7	51.7	26.7	42.7	34.6	49	56.7	29.3	46.9
U-LC-1035B	41.9	58.6	67.5	35.7	56.1	45.8	64.1	73.7	39.1	61.4
U-LC-1035B-P-2W	27.9	39	44.9	23.7	37.3	30.5	42.6	49.1	26	40.8
U-LC-1035B-P-4W	33.5	46.9	54	28.6	44.9	36.7	51.2	59	31.2	49.1
U-LC-1035B-P-7W	36.7	51.4	59.2	31.3	49.2	40.2	56.2	64.7	34.3	53.8
U-LC-1035C	46.4	64.2	73.6	39.7	61.5	50.5	69.9	80.1	43.3	67.1
U-LC-1035C-P-2W	30.9	42.8	49	26.5	41	33.7	46.6	53.4	28.9	44.7
U-LC-1035C-P-4W	37.1	51.3	58.9	31.8	49.2	40.4	55.9	64.1	34.7	53.6
U-LC-1035C-P-7W	40.5	56.1	64.3	34.7	53.8	44.2	61.1	70	37.9	58.6
U-LC-1035D	51.9	72.6	83.5	44.3	69.5	56.8	79.3	91.2	48.4	76
U-LC-1035D-P-2W	34.7	48.5	55.8	29.6	46.4	37.9	52.9	60.9	32.3	50.7
U-LC-1035D-P-4W	41.6	58.1	66.9	35.5	55.7	45.5	63.5	73.1	38.8	60.9
U-LC-1035D-P-7W	45.5	63.6	73.1	38.8	60.9	49.7	69.4	79.9	42.4	66.5
U-LC-1035E	56.4	79.6	92	47.8	76.2	61.9	87.3	100.8	52.5	83.5
U-LC-1035E-P-2W	37.6	53	61.3	31.8	50.7	41.2	58.1	67.1	34.9	55.6
U-LC-1035E-P-4W	45.1	63.6	73.5	38.2	60.9	49.4	69.7	80.5	41.9	66.7
U-LC-1035E-P-7W	49.4	69.7	80.6	41.9	66.7	54.2	76.4	88.2	46	73.1
U-LC-1040A	37.6	53.8	62.5	31.7	51.4	41.4	59.2	68.6	34.9	56.6
U-LC-1040A-P-2W	25.1	35.9	41.7	21.2	34.4	27.7	39.5	45.9	23.3	37.8
U-LC-1040A-P-4W	30	42.9	49.9	25.3	41.1	33.1	47.2	54.8	27.9	45.2
U-LC-1040A-P-7W	32.9	47	54.6	27.7	45	36.2	51.7	60	30.5	49.5
U-LC-1040B	43.7	61.9	71.5	37.1	59.2	48	67.8	78.4	40.7	65
U-LC-1040B-P-2W	29.2	41.3	47.8	24.8	39.6	32.1	45.3	52.4	27.2	43.4
U-LC-1040B-P-4W	35	49.4	57.2	29.6	47.3	38.4	54.2	62.7	32.6	51.9
U-LC-1040B-P-7W	38.3	54.2	62.6	32.5	51.9	42.1	59.4	68.7	35.7	56.9
U-LC-1040C	48.2	67.7	78	41	64.8	52.8	74.1	85.4	44.9	71
U-LC-1040C-P-2W	32.1	45.1	52	27.3	43.2	35.2	49.4	56.9	30	47.3
U-LC-1040C-P-4W	38.6	54.1	62.4	32.8	51.9	42.2	59.3	68.3	35.9	56.8
U-LC-1040C-P-7W	42.3	59.3	68.4	35.9	56.8	46.3	64.9	74.9	39.4	62.2
U-LC-1040D	54.9	76.4	87.8	46.9	73.3	60	83.4	95.9	51.3	80
U-LC-1040D-P-2W	36.6	50.9	58.5	31.3	48.8	40	55.6	63.9	34.2	53.4
U-LC-1040D-P-4W	43.9	61.1	70.2	37.5	58.6	47.9	66.7	76.6	41	64
U-LC-1040D-P-7W	48.1	66.9	76.9	41.1	64.2	52.5	73.1	84	44.9	70.1

STD-201RS Table 3b - SI Units - Cooling Towers (CT)

Condition Reference #	31	32	33	34	35	36	37	38	39	40
Wet Bulb °C	27	27	27	27	27	29	29	29	29	29
Range °C	6	6	6	8	8	6	6	6	8	8
Approach °C	4	6	7	4	7	4	6	7	4	7
Inlet Water Temperature °C	37	39	40	39	42	39	41	42	41	44
Outlet Water Temperature °C	31	33	34	31	34	33	35	36	33	36
	L/S									
U-LC-1040E	60.6	83.8	96.1	51.9	80.4	66	91.3	104.7	56.7	87.7
U-LC-1040E-P-2W	40.4	55.8	64	34.6	53.6	44	60.9	69.8	37.8	58.4
U-LC-1040E-P-4W	48.5	67.1	76.9	41.6	64.4	52.9	73.2	83.9	45.4	70.2
U-LC-1040E-P-7W	53.1	73.4	84.2	45.5	70.5	57.9	80	91.7	49.7	76.8
U-LC-1045A	50.7	72.8	84.7	42.6	69.7	56	80.3	93.2	47.1	76.8
U-LC-1045A-P-2W	33.9	48.6	56.5	28.4	46.5	37.4	53.6	62.2	31.4	51.3
U-LC-1045A-P-4W	40.6	58.4	67.9	34.1	55.8	44.9	64.3	74.7	37.7	61.5
U-LC-1045A-P-7W	44.4	63.8	74.2	37.3	61	49	70.3	81.6	41.2	67.3
U-LC-1045B	54.1	78.1	91	45.3	74.7	59.8	86.2	100.3	50.1	82.4
U-LC-1045B-P-2W	36	52.1	60.7	30.2	49.8	39.9	57.4	66.8	33.4	55
U-LC-1045B-P-4W	43.2	62.5	72.8	36.2	59.7	47.8	68.9	80.2	40.1	66
U-LC-1045B-P-7W	47.3	68.4	79.6	39.6	65.4	52.3	75.4	87.8	43.9	72.2
U-LC-1045C	59.8	86.8	101.2	50	82.9	66.3	95.8	111.6	55.5	91.7
U-LC-1045C-P-2W	39.8	57.8	67.4	33.3	55.2	44.1	63.8	74.3	36.9	61
U-LC-1045C-P-4W	47.8	69.3	80.8	39.9	66.2	52.9	76.6	89.2	44.3	73.2
U-LC-1045C-P-7W	52.3	75.9	88.5	43.7	72.5	57.9	83.8	97.6	48.5	80.2
U-LC-1045D	62.7	91.8	107.5	52	87.6	69.6	101.6	118.8	57.9	97.1
U-LC-1045D-P-2W	41.8	61.2	71.7	34.7	58.4	46.4	67.8	79.2	38.6	64.7
U-LC-1045D-P-4W	50.1	73.5	86	41.6	70.1	55.7	81.3	95.1	46.3	77.7
U-LC-1045D-P-7W	54.8	80.3	94	45.5	76.6	60.8	88.8	103.9	50.6	84.9
U-LC-1045E	67.5	96.5	112	56.9	92.2	74.3	106.1	123.1	62.7	101.5
U-LC-1045E-P-2W	45.1	64.4	74.8	38	61.6	49.6	70.8	82.1	41.8	67.7
U-LC-1045E-P-4W	54.1	77.3	89.7	45.5	73.9	59.5	85	98.6	50.2	81.3
U-LC-1045E-P-7W	59.1	84.5	98.1	49.8	80.8	65.1	92.9	107.8	54.9	88.9
U-LC-1050A	60.9	83.8	95.9	52.4	80.7	66.4	91.4	104.6	57.2	88
U-LC-1050A-P-2W	40.6	55.9	64	34.9	53.8	44.3	60.9	69.7	38.1	58.7
U-LC-1050A-P-4W	48.8	67.2	76.9	42	64.6	53.2	73.2	83.8	45.8	70.5
U-LC-1050A-P-7W	53.3	73.5	84.1	45.9	70.7	58.2	80.1	91.6	50.1	77.1
U-LC-1050B	64.7	89.5	102.6	55.6	86.1	70.7	97.7	112	60.8	94.1
U-LC-1050B-P-2W	43.2	59.8	68.5	37.1	57.5	47.2	65.2	74.8	40.6	62.8
U-LC-1050B-P-4W	51.8	71.7	82.2	44.5	69	56.7	78.3	89.7	48.7	75.4
U-LC-1050B-P-7W	56.6	78.2	89.7	48.6	75.3	61.8	85.4	97.9	53.1	82.2
U-LC-1050C	72.6	100.9	115.8	62.2	97	79.5	110.3	126.5	68.1	106.1
U-LC-1050C-P-2W	48.4	67.2	77.2	41.5	64.7	53	73.5	84.3	45.4	70.7
U-LC-1050C-P-4W	58.2	80.8	92.7	49.8	77.7	63.7	88.3	101.3	54.6	85
U-LC-1050C-P-7W	63.5	88.2	101.3	54.4	84.9	69.5	96.4	110.7	59.6	92.8
U-LC-1050D	78.7	109.7	126.1	67.3	105.5	86.3	120.1	137.9	73.9	115.5
U-LC-1050D-P-2W	52.5	73.1	84.1	44.9	70.3	57.5	80	91.9	49.2	77
U-LC-1050D-P-4W	63	87.8	100.9	53.9	84.5	69	96.1	110.4	59.1	92.5
U-LC-1050D-P-7W	68.8	95.9	110.3	58.9	92.3	75.4	105	120.6	64.6	101
U-LC-1050E	83.3	116.5	134.1	71.1	112.1	91.4	127.7	146.8	78.2	122.8
U-LC-1050E-P-2W	55.6	77.7	89.4	47.4	74.7	61	85.1	97.8	52.1	81.9
U-LC-1050E-P-4W	66.7	93.3	107.3	56.9	89.7	73.2	102.2	117.5	62.6	98.3
U-LC-1050E-P-7W	73	102.1	117.4	62.3	98.2	80.1	111.8	128.6	68.5	107.6
U-LC-1060A	64.4	85.2	96	56.6	82.2	69.3	91.8	103.4	60.9	88.6
U-LC-1060A-P-2W	42.9	56.7	63.9	37.6	54.7	46.2	61.1	68.8	40.5	59
U-LC-1060A-P-4W	51.5	68.1	76.8	45.2	65.8	55.5	73.4	82.7	48.7	70.8
U-LC-1060A-P-7W	56.4	74.6	84.1	49.6	72.1	60.8	80.4	90.6	53.4	77.6
U-LC-1060B	68.7	91.5	103.4	60.1	88.3	74.1	98.8	111.7	64.8	95.3
U-LC-1060B-P-2W	45.8	61	69	40.1	58.9	49.4	65.9	74.4	43.2	63.5
U-LC-1060B-P-4W	54.9	73.1	82.6	48	70.5	59.2	78.9	89.2	51.8	76.1
U-LC-1060B-P-7W	60.1	80.1	90.5	52.6	77.2	64.9	86.5	97.7	56.7	83.4
U-LC-1060C	77.8	104.6	118.7	67.8	100.8	84.2	113.2	128.4	73.3	109.1
U-LC-1060C-P-2W	51.9	69.8	79.2	45.2	67.3	56.2	75.6	85.7	48.9	72.8
U-LC-1060C-P-4W	62.3	83.8	95	54.3	80.7	67.4	90.6	102.8	58.7	87.3
U-LC-1060C-P-7W	68.1	91.6	103.9	59.4	88.3	73.7	99.1	112.4	64.2	95.5
U-LC-1060D	87.2	116.7	132.1	76.1	112.5	94.2	126.1	142.8	82.2	121.6
U-LC-1060D-P-2W	58.2	77.9	88.2	50.8	75.1	62.8	84.2	95.3	54.8	81.1
U-LC-1060D-P-4W	69.7	93.4	105.7	60.9	90	75.3	100.9	114.2	65.8	97.2
U-LC-1060D-P-7W	76.3	102.1	115.6	66.6	98.4	82.4	110.4	125	71.9	106.4
U-LC-1060E	94.9	126.5	143	83	122	102.4	136.6	154.4	89.6	131.7
U-LC-1060E-P-2W	63.3	84.4	95.3	55.3	81.3	68.3	91.1	102.9	59.7	87.8
U-LC-1060E-P-4W	75.9	101.2	114.4	66.4	97.6	81.9	109.2	123.5	71.6	105.3
U-LC-1060E-P-7W	83.1	110.8	125.3	72.7	106.9	89.7	119.6	135.2	78.5	115.4
U-LC-1070A	72.7	96.3	108.6	63.7	92.9	78.2	103.7	116.9	68.6	100
U-LC-1070A-P-2W	48.5	64.3	72.5	42.5	62	52.2	69.2	78	45.8	66.7
U-LC-1070A-P-4W	58.2	77.1	86.9	51	74.3	62.6	83	93.5	54.8	80
U-LC-1070A-P-7W	63.6	84.2	94.9	55.7	81.2	68.4	90.7	102.2	59.9	87.4
U-LC-1070B	81.6	109.8	124.5	71	105.7	88.2	118.8	134.7	76.7	114.3
U-LC-1070B-P-2W	54.4	73.2	83	47.3	70.5	58.8	79.2	89.8	51.2	76.2
U-LC-1070B-P-4W	65.2	87.8	99.6	56.7	84.5	70.5	95	107.7	61.4	91.4
U-LC-1070B-P-7W	71.4	96.1	109	62.1	92.5	77.2	103.9	117.9	67.2	100.1
U-LC-1070C	90.7	124.2	141.8	78.3	119.4	98.7	135	154.2	85.1	129.8
U-LC-1070C-P-2W	60.5	82.8	94.6	52.2	79.6	65.8	90	102.8	56.8	86.6

STD-201RS Table 3b - SI Units - Cooling Towers (CT)

Condition Reference #	31	32	33	34	35	36	37	38	39	40
Wet Bulb °C	27	27	27	27	27	29	29	29	29	29
Range °C	6	6	6	8	8	6	6	6	8	8
Approach °C	4	6	7	4	7	4	6	7	4	7
Inlet Water Temperature °C	37	39	40	39	42	39	41	42	41	44
Outlet Water Temperature °C	31	33	34	31	34	33	35	36	33	36
	L/S									
U-LC-1070C-P-4W	72.7	99.4	113.6	62.7	95.6	79	108.1	123.5	68.2	104
U-LC-1070C-P-7W	79.4	108.7	124.1	68.5	104.5	86.3	118.2	134.9	74.5	113.6
U-LC-1070D	93.3	126.3	143.6	80.9	121.5	101.1	136.8	155.6	87.7	131.7
U-LC-1070D-P-2W	62.2	84.3	95.8	54	81.1	67.5	91.3	103.8	58.5	87.9
U-LC-1070D-P-4W	74.7	101.1	114.9	64.8	97.3	80.9	109.6	124.6	70.2	105.4
U-LC-1070D-P-7W	81.7	110.5	125.7	70.8	106.4	88.5	119.8	136.2	76.8	115.3
U-LC-1070E	99.5	133.3	150.9	86.8	128.4	107.5	144	163	93.7	138.7
U-LC-1070E-P-2W	66.3	88.8	100.6	57.8	85.6	71.6	96	108.7	62.5	92.4
U-LC-1070E-P-4W	79.6	106.6	120.7	69.4	102.6	85.9	115.1	130.3	74.9	110.9
U-LC-1070E-P-7W	87.1	116.7	132.1	76	112.4	94.1	126	142.7	82	121.4
U-LC-1080A	85.9	115.6	131.1	74.8	111.3	92.9	125.1	141.9	80.9	120.4
U-LC-1080A-P-2W	57.4	77.2	87.6	49.9	74.4	62.1	83.5	94.8	54	80.4
U-LC-1080A-P-4W	68.7	92.5	104.9	59.8	89	74.3	100.1	113.5	64.7	96.3
U-LC-1080A-P-7W	75.2	101.2	114.8	65.5	97.5	81.4	109.5	124.2	70.8	105.5
U-LC-1080B	92.4	126.7	144.8	79.6	121.7	100.5	137.8	157.4	86.6	132.4
U-LC-1080B-P-2W	61.7	84.6	96.7	53.1	81.3	67.1	92	105.1	57.8	88.4
U-LC-1080B-P-4W	73.8	101.2	115.7	63.6	97.3	80.3	110.1	125.8	69.2	105.8
U-LC-1080B-P-7W	80.9	110.9	126.8	69.7	106.6	88	120.6	137.8	75.8	115.9
U-LC-1080C	103.2	139.8	158.9	89.6	134.5	111.9	151.5	172.3	97.1	145.8
U-LC-1080C-P-2W	68.9	93.2	106	59.8	89.7	74.7	101.1	114.9	64.8	97.3
U-LC-1080C-P-4W	82.7	111.9	127.2	71.7	107.7	89.6	121.3	137.9	77.7	116.7
U-LC-1080C-P-7W	90.3	122.2	139	78.3	117.6	97.9	132.5	150.7	84.9	127.5
U-LC-1080D	109.2	146.5	166	95.2	141.1	118	158.4	179.5	102.9	152.5
U-LC-1080D-P-2W	72.9	97.8	110.8	63.6	94.2	78.8	105.8	119.8	68.7	101.9
U-LC-1080D-P-4W	87.3	117.1	132.7	76.1	112.8	94.4	126.6	143.5	82.2	121.9
U-LC-1080D-P-7W	95.5	128.1	145.2	83.2	123.4	103.2	138.5	156.9	89.9	133.4
U-LC-1080E	117.7	160.6	183.1	101.7	154.4	127.9	174.4	198.9	110.5	167.8
U-LC-1080E-P-2W	78.5	107.1	122.1	67.8	102.9	85.2	116.3	132.6	73.7	111.8
U-LC-1080E-P-4W	94.1	128.4	146.5	81.3	123.5	102.3	139.5	159.1	88.4	134.2
U-LC-1080E-P-7W	103	140.6	160.3	89	135.2	111.9	152.7	174.1	96.7	146.9
U-LC-1090A	104.5	144.5	165.7	89.7	139	114.1	157.7	180.8	98.1	151.8
U-LC-1090A-P-2W	69.8	96.5	110.6	59.9	92.8	76.2	105.3	120.7	65.5	101.3
U-LC-1090A-P-4W	83.6	115.7	132.6	71.8	111.2	91.4	126.2	144.7	78.5	121.5
U-LC-1090A-P-7W	91.4	126.5	145	78.5	121.6	99.9	138.1	158.2	85.8	132.8
U-LC-1090B	108.6	152	174.9	92.6	146	119.1	166.4	191.5	101.7	160
U-LC-1090B-P-2W	72.4	101.4	116.7	61.8	97.4	79.4	111	127.7	67.8	106.7
U-LC-1090B-P-4W	86.8	121.5	139.8	74	116.7	95.2	133	153.1	81.3	127.9
U-LC-1090B-P-7W	95	133	153.1	81	127.8	104.2	145.7	167.6	89	140
U-LC-1090C	118.8	162	184.7	102.8	155.8	129.1	176	200.6	111.7	169.3
U-LC-1090C-P-2W	79.2	108	123.1	68.5	103.9	86.1	117.3	133.7	74.5	112.9
U-LC-1090C-P-4W	95.1	129.6	147.7	82.2	124.7	103.3	140.8	160.5	89.4	135.5
U-LC-1090C-P-7W	104	141.7	161.6	89.9	136.4	113	154	175.5	97.7	148.2
U-LC-1090D	132.1	179.8	204.8	114.5	173.1	143.6	195.3	222.4	124.4	188.1
U-LC-1090D-P-2W	88.2	119.9	136.6	76.4	115.5	95.8	130.3	148.4	83	125.5
U-LC-1090D-P-4W	105.7	143.8	163.8	91.5	138.5	114.8	156.2	177.9	99.5	150.4
U-LC-1090D-P-7W	115.6	157.3	179.1	100.1	151.5	125.6	170.8	194.6	108.8	164.5
U-LC-1090E	138.5	190.8	218.4	119.1	183.5	151	208	238	130	200.1
U-LC-1090E-P-2W	92.4	127.3	145.7	79.5	122.4	100.8	138.8	158.8	86.7	133.5
U-LC-1090E-P-4W	110.9	152.7	174.8	95.4	146.9	120.9	166.5	190.5	104.1	160.1
U-LC-1090E-P-7W	121.2	166.9	191.1	104.2	160.5	132.1	182	208.3	113.7	175
U-LC-1100A	109	152.9	176.1	92.9	146.9	119.7	167.5	192.8	102.1	161
U-LC-1100A-P-2W	72.8	102.1	117.6	62.1	98.1	79.9	111.8	128.7	68.2	107.5
U-LC-1100A-P-4W	87.3	122.4	141	74.4	117.6	95.8	134.1	154.3	81.7	128.9
U-LC-1100A-P-7W	95.3	133.7	154	81.3	128.4	104.6	146.5	168.6	89.3	140.8
U-LC-1100B	114	157.8	180.9	97.9	151.6	124.5	172.1	197.3	106.9	165.5
U-LC-1100B-P-2W	76.1	105.2	120.7	65.3	101.1	83.1	114.8	131.6	71.3	110.4
U-LC-1100B-P-4W	91.2	126.2	144.7	78.3	121.3	99.6	137.7	157.8	85.5	132.4
U-LC-1100B-P-7W	99.9	138.2	158.4	85.7	132.8	109	150.7	172.8	93.6	144.9
U-LC-1100C	123.5	168.2	191.8	106.8	161.9	134.1	182.8	208.3	116	175.9
U-LC-1100C-P-2W	82.4	112.2	128	71.2	108	89.5	121.9	139	77.4	117.3
U-LC-1100C-P-4W	98.7	134.5	153.3	85.4	129.4	107.2	146.1	166.6	92.8	140.6
U-LC-1100C-P-7W	108.1	147.3	168	93.5	141.8	117.5	160.1	182.4	101.6	154
U-LC-1100D	139	191.8	219.6	119.5	184.4	151.7	209.1	239.4	130.5	201.2
U-LC-1100D-P-2W	92.8	128	146.6	79.8	123.1	101.3	139.6	159.8	87.1	134.3
U-LC-1100D-P-4W	111.3	153.5	175.7	95.6	147.6	121.4	167.3	191.6	104.4	161
U-LC-1100D-P-7W	121.7	167.9	192.2	104.6	161.4	132.8	183.1	209.6	114.2	176.1
U-LC-1100E	148.7	205.5	235.5	127.8	197.6	162.4	224.2	256.9	139.6	215.6
U-LC-1100E-P-2W	99.2	137	157	85.2	131.7	108.3	149.5	171.3	93	143.8
U-LC-1100E-P-4W	119.1	164.5	188.5	102.3	158.2	130	179.5	205.6	111.7	172.6
U-LC-1100E-P-7W	130.2	179.8	206.1	111.8	172.9	142.1	196.2	224.8	122.1	188.7



STD-201RS Table 3b - SI Units - Cooling Towers (CT)

Condition Reference #	41	42	43	44	45		46	47	48	49
Wet Bulb °C	32.2	32.2	32.2	32.2	32.2		21	25.56	27	28
Range °C	6	6	6	8	8		5	5.56	5	5
Approach °C	4	6	7	4	7		6	3.89	5	4
Inlet Water Temperature °C	42.2	44.2	45.2	44.2	47.2		32	35.00	37	37
Outlet Water Temperature °C	36.2	38.2	39.2	36.2	39.2		27	29.44	32	32
	L/S									
U-LC-1010C	17.3	25.6	30	14.3	24.4		16.2	12.2	18.4	15.6
U-LC-1010C-P-2W	11.6	17.1	20.1	9.6	16.4		10.9	8.2	12.4	10.5
U-LC-1010C-P-4W	13.8	20.5	24	11.4	19.6		13	9.7	14.7	12.5
U-LC-1010C-P-7W	15	22.3	26.1	12.4	21.3		14.1	10.6	16	13.6
U-LC-1012C	20	30	35.3	16.4	28.6		18.9	14	21.5	18.1
U-LC-1012C-P-2W	13.4	20	23.6	10.9	19.1		12.6	9.3	14.3	12
U-LC-1012C-P-4W	16	23.9	28.2	13.1	22.8		15.1	11.2	17.1	14.4
U-LC-1012C-P-7W	17.6	26.4	31	14.4	25.1		16.6	12.3	18.9	15.9
U-LC-1012D	22.9	33.5	39.1	19.1	32		21.8	16.5	24.5	20.9
U-LC-1012D-P-2W	15.2	22.2	26	12.7	21.2		14.5	11	16.3	13.8
U-LC-1012D-P-4W	18.2	26.7	31.2	15.2	25.5		17.3	13.2	19.5	16.6
U-LC-1012D-P-7W	20.1	29.3	34.3	16.7	28		19.1	14.5	21.5	18.3
U-LC-1015B	19.7	30.4	36.1	15.9	28.9		18.5	13.4	21.2	17.6
U-LC-1015B-P-2W	13.1	20.2	24	10.5	19.2		12.3	8.9	14.1	11.7
U-LC-1015B-P-4W	15.7	24.2	28.8	12.6	23		14.7	10.6	16.9	14
U-LC-1015B-P-7W	17.3	26.7	31.7	14	25.4		16.2	11.7	18.6	15.5
U-LC-1015C	23.4	35.3	41.7	19.1	33.7		22.1	16.3	25.1	21.1
U-LC-1015C-P-2W	15.6	23.5	27.7	12.7	22.4		14.6	10.8	16.7	14
U-LC-1015C-P-4W	18.8	28.3	33.4	15.4	27		17.7	13.1	20.2	16.9
U-LC-1015C-P-7W	20.6	31.1	36.7	16.8	29.6		19.4	14.3	22.1	18.6
U-LC-1015D	26.9	40	47	22.2	38.2		25.5	19.1	28.8	24.3
U-LC-1015D-P-2W	18	26.8	31.4	14.9	25.5		17	12.8	19.3	16.3
U-LC-1015D-P-4W	21.5	31.9	37.5	17.7	30.4		20.3	15.2	23	19.4
U-LC-1015D-P-7W	23.5	34.9	41	19.3	33.3		22.2	16.6	25.1	21.2
U-LC-1015E	29.4	43.3	50.7	24.4	41.3		27.8	21	31.4	26.7
U-LC-1015E-P-2W	19.7	28.9	33.9	16.3	27.6		18.6	14.1	21	17.8
U-LC-1015E-P-4W	23.5	34.6	40.5	19.5	33		22.3	16.8	25.1	21.3
U-LC-1015E-P-7W	25.7	37.9	44.4	21.3	36.2		24.4	18.4	27.5	23.4
U-LC-1017B	25	37.5	44.1	20.4	35.9		23.3	17.2	26.7	22.4
U-LC-1017B-P-2W	16.7	25	29.4	13.6	23.9		15.5	11.5	17.8	14.9
U-LC-1017B-P-4W	19.9	29.9	35.2	16.3	28.6		18.6	13.7	21.2	17.8
U-LC-1017B-P-7W	22	32.9	38.7	18	31.5		20.5	15.1	23.4	19.7
U-LC-1017C	30.2	44.6	52.1	25	42.7		28.2	21.2	32.1	27.2
U-LC-1017C-P-2W	20.2	29.8	34.8	16.7	28.6		18.8	14.2	21.5	18.2
U-LC-1017C-P-4W	24.1	35.5	41.6	19.9	34.1		22.5	16.9	25.6	21.6
U-LC-1017C-P-7W	26.6	39.1	45.7	22	37.5		24.7	18.6	28.2	23.9
U-LC-1017D	34.1	49.8	58.1	28.4	47.7		32	24.3	36.2	30.8
U-LC-1017D-P-2W	22.7	33.1	38.6	18.8	31.7		21.2	16.1	24.1	20.5
U-LC-1017D-P-4W	27.4	39.9	46.6	22.8	38.3		25.6	19.5	29	24.7
U-LC-1017D-P-7W	29.8	43.5	50.8	24.8	41.7		27.9	21.2	31.6	26.9
U-LC-1017E	38.6	55.6	64.5	32.3	53.4		36.1	27.7	40.7	34.9
U-LC-1017E-P-2W	25.6	37	42.9	21.5	35.5		24	18.4	27.1	23.2
U-LC-1017E-P-4W	30.8	44.3	51.5	25.8	42.6		28.8	22.1	32.5	27.8
U-LC-1017E-P-7W	33.8	48.8	56.6	28.4	46.8		31.7	24.3	35.8	30.6
U-LC-1020B	30.5	43.4	50.2	25.8	41.7		28.8	22.4	32.3	27.8
U-LC-1020B-P-2W	20.3	28.9	33.4	17.1	27.7		19.2	14.9	21.5	18.5
U-LC-1020B-P-4W	24.3	34.7	40.1	20.6	33.3		23	17.9	25.8	22.2
U-LC-1020B-P-7W	26.6	37.9	43.9	22.5	36.3		25.2	19.5	28.2	24.3
U-LC-1020C	34.8	49.6	57.4	29.3	47.6		32.9	25.5	36.8	31.7
U-LC-1020C-P-2W	23.1	33	38.2	19.5	31.6		21.9	17	24.5	21.1
U-LC-1020C-P-4W	27.8	39.7	45.9	23.5	38		26.3	20.4	29.5	25.4
U-LC-1020C-P-7W	30.5	43.4	50.3	25.7	41.7		28.8	22.4	32.3	27.8
U-LC-1020D	38.2	54.4	63.1	32.2	52.2		36.3	28.1	40.5	34.9
U-LC-1020D-P-2W	25.5	36.4	42.2	21.5	34.9		24.2	18.8	27.1	23.3
U-LC-1020D-P-4W	30.6	43.7	50.6	25.8	41.8		29.1	22.5	32.5	28
U-LC-1020D-P-7W	33.5	47.7	55.3	28.2	45.8		31.8	24.7	35.5	30.6
U-LC-1020E	43.2	61	70.4	36.6	58.5		41	32.1	45.7	39.5
U-LC-1020E-P-2W	28.8	40.8	47.1	24.5	39.1		27.4	21.4	30.6	26.4
U-LC-1020E-P-4W	34.6	48.9	56.4	29.3	46.9		32.9	25.7	36.6	31.7
U-LC-1020E-P-7W	37.8	53.5	61.7	32.1	51.3		36	28.1	40.1	34.7
U-LC-1022B	35.4	50.6	58.7	29.8	48.6		33.4	25.9	37.5	32.2
U-LC-1022B-P-2W	23.5	33.7	39	19.8	32.3		22.2	17.2	24.9	21.4
U-LC-1022B-P-4W	28.2	40.4	46.8	23.8	38.8		26.7	20.6	29.9	25.7
U-LC-1022B-P-7W	30.9	44.2	51.2	26	42.4		29.2	22.6	32.7	28.1
U-LC-1022C	42.5	59.9	69	36.2	57.6		40.2	31.5	44.9	38.8
U-LC-1022C-P-2W	28.4	39.9	46	24.1	38.4		26.8	21	29.9	25.9
U-LC-1022C-P-4W	34.1	48	55.3	29	46.2		32.2	25.3	36	31.2
U-LC-1022C-P-7W	37.2	52.4	60.3	31.6	50.3		35.1	27.5	39.2	34
U-LC-1022D	47.1	65.6	75.3	40.3	63.1		44.6	35.3	49.6	43.2
U-LC-1022D-P-2W	31.5	43.8	50.3	26.9	42.2		29.8	23.6	33.2	28.9
U-LC-1022D-P-4W	37.6	52.4	60.2	32.2	50.4		35.7	28.2	39.7	34.5
U-LC-1022D-P-7W	41.1	57.3	65.8	35.2	55.1		39	30.9	43.3	37.7
U-LC-1022E	53.9	74.1	84.8	46.5	71.4		51.3	41.1	56.8	49.7
U-LC-1022E-P-2W	36	49.5	56.6	31.1	47.7		34.3	27.4	37.9	33.2

STD-201RS Table 3b - SI Units - Cooling Towers (CT)

Condition Reference #	41	42	43	44	45		46	47	48	49
Wet Bulb °C	32.2	32.2	32.2	32.2	32.2		21	25.56	27	28
Range °C	6	6	6	8	8		5	5.56	5	5
Approach °C	4	6	7	4	7		6	3.89	5	4
Inlet Water Temperature °C	42.2	44.2	45.2	44.2	47.2		32	35.00	37	37
Outlet Water Temperature °C	36.2	38.2	39.2	36.2	39.2		27	29.44	32	32
							L/S			
U-LC-1022E-P-4W	43.2	59.4	67.9	37.3	57.2		41.1	32.9	45.5	39.8
U-LC-1022E-P-7W	47.1	64.8	74.1	40.6	62.4		44.9	35.9	49.6	43.4
U-LC-1025B	42.5	59.9	69	36.2	57.6		40.2	31.5	44.9	38.8
U-LC-1025B-P-2W	28.4	39.9	46	24.1	38.4		26.8	21	29.9	25.9
U-LC-1025B-P-4W	34.1	48	55.3	29	46.2		32.2	25.3	36	31.2
U-LC-1025B-P-7W	37.2	52.4	60.3	31.6	50.3		35.1	27.5	39.2	34
U-LC-1025C	47.1	65.6	75.3	40.3	63.1		44.6	35.3	49.6	43.2
U-LC-1025C-P-2W	31.5	43.8	50.3	26.9	42.2		29.8	23.6	33.2	28.9
U-LC-1025C-P-4W	37.6	52.4	60.2	32.2	50.4		35.7	28.2	39.7	34.5
U-LC-1025C-P-7W	41.1	57.3	65.8	35.2	55.1		39	30.9	43.3	37.7
U-LC-1025D	53.9	74.1	84.8	46.5	71.4		51.3	41.1	56.8	49.7
U-LC-1025D-P-2W	36	49.5	56.6	31.1	47.7		34.3	27.4	37.9	33.2
U-LC-1025D-P-4W	43.2	59.4	67.9	37.3	57.2		41.1	32.9	45.5	39.8
U-LC-1025D-P-7W	47.1	64.8	74.1	40.6	62.4		44.9	35.9	49.6	43.4
U-LC-1025E	59.3	80.9	92.3	51.3	78		56.6	45.5	62.4	54.8
U-LC-1025E-P-2W	39.5	54	61.5	34.2	52		37.7	30.3	41.6	36.5
U-LC-1025E-P-4W	47.3	64.6	73.7	40.9	62.3		45.2	36.3	49.8	43.7
U-LC-1025E-P-7W	51.9	70.8	80.8	44.9	68.2		49.5	39.8	54.6	47.9
U-LC-1030A	38.5	56	65.4	32.2	53.4		37.1	28.3	41.4	35.3
U-LC-1030A-P-2W	25.6	37.2	43.5	21.4	35.5		24.7	18.8	27.5	23.5
U-LC-1030A-P-4W	30.9	44.8	52.4	25.8	42.8		29.7	22.7	33.2	28.3
U-LC-1030A-P-7W	33.7	49	57.2	28.1	46.7		32.4	24.7	36.2	30.9
U-LC-1030B	44.3	63.6	74	37.2	60.7		42.7	32.8	47.5	40.7
U-LC-1030B-P-2W	29.5	42.4	49.4	24.8	40.5		28.5	21.9	31.6	27.1
U-LC-1030B-P-4W	35.4	50.8	59.2	29.7	48.5		34.1	26.2	37.9	32.5
U-LC-1030B-P-7W	38.8	55.8	64.9	32.6	53.2		37.4	28.8	41.6	35.7
U-LC-1030C	48.8	69.5	80.7	41.1	66.4		47.1	36.4	52.2	44.9
U-LC-1030C-P-2W	32.6	46.4	53.9	27.5	44.4		31.5	24.3	34.9	30
U-LC-1030C-P-4W	39	55.7	64.6	32.9	53.2		37.7	29.2	41.8	36
U-LC-1030C-P-7W	44.2	59.3	67.1	38.8	57.6		41.2	33.8	45.7	40.5
U-LC-1030D	56.1	79.1	91.4	47.6	75.7		54.4	42.4	60	51.9
U-LC-1030D-P-2W	37.5	52.9	61	31.8	50.5		36.3	28.3	40.1	34.7
U-LC-1030D-P-4W	45	63.4	73.3	38.2	60.7		43.6	34	48.1	41.6
U-LC-1030D-P-7W	49	69.1	79.9	41.6	66.1		47.5	37	52.4	45.4
U-LC-1030E	59.8	83.7	96.5	50.8	80.1		58.1	45.5	63.9	55.4
U-LC-1030E-P-2W	39.9	55.9	64.4	33.9	53.5		38.8	30.4	42.7	37
U-LC-1030E-P-4W	47.8	67	77.2	40.7	64.1		46.5	36.4	51.1	44.3
U-LC-1030E-P-7W	52.3	73.2	84.4	44.5	70.1		50.8	39.8	55.9	48.5
U-LC-1035A	45.9	64.9	75.1	38.9	62.2		44.2	34.4	49	42.3
U-LC-1035A-P-2W	30.7	43.4	50.1	26	41.5		29.5	23	32.7	28.3
U-LC-1035A-P-4W	36.8	52	60.1	31.2	49.8		35.4	27.6	39.2	33.9
U-LC-1035A-P-7W	40.2	56.9	65.8	34.1	54.5		38.7	30.2	42.9	37.1
U-LC-1035B	52.9	73.9	85.1	45.2	70.8		51.1	40.2	56.3	48.9
U-LC-1035B-P-2W	35.2	49.2	56.6	30	47.1		34	26.7	37.5	32.6
U-LC-1035B-P-4W	42.3	59.1	68	36.1	56.7		40.8	32.1	45.1	39.2
U-LC-1035B-P-7W	46.4	64.8	74.6	39.6	62.1		44.8	35.2	49.4	42.9
U-LC-1035C	58.1	80.3	92	49.8	77		56.2	44.6	61.8	53.9
U-LC-1035C-P-2W	38.7	53.5	61.3	33.2	51.3		37.5	29.7	41.2	35.9
U-LC-1035C-P-4W	46.5	64.2	73.6	39.9	61.6		45	35.6	49.4	43.1
U-LC-1035C-P-7W	50.7	70.1	80.4	43.5	67.3		49.1	38.9	54	47.1
U-LC-1035D	65.5	91.4	105.1	56	87.6		63.3	49.8	69.8	60.7
U-LC-1035D-P-2W	43.8	61	70.2	37.4	58.5		42.2	33.3	46.6	40.5
U-LC-1035D-P-4W	52.5	73.2	84.2	44.8	70.2		50.7	39.9	55.9	48.6
U-LC-1035D-P-7W	57.4	80.1	92.1	49	76.7		55.4	43.6	61.1	53.1
U-LC-1035E	71.8	101.1	116.6	61	96.8		69.1	54.1	76.5	66.2
U-LC-1035E-P-2W	47.8	67.3	77.7	40.6	64.4		46	36	50.9	44.1
U-LC-1035E-P-4W	57.3	80.7	93.2	48.7	77.3		55.2	43.2	61.1	52.9
U-LC-1035E-P-7W	62.8	88.5	102.1	53.4	84.7		60.5	47.3	67	58
U-LC-1040A	48.4	68.9	79.9	40.9	66		46.3	35.9	51.6	44.4
U-LC-1040A-P-2W	32.4	46.1	53.4	27.3	44.1		30.9	24	34.5	29.7
U-LC-1040A-P-4W	38.7	55	63.8	32.7	52.7		37	28.7	41.2	35.5
U-LC-1040A-P-7W	42.3	60.3	69.8	35.7	57.7		40.5	31.4	45.1	38.8
U-LC-1040B	55.8	78.7	90.9	47.4	75.4		53.5	41.9	59.4	51.4
U-LC-1040B-P-2W	37.3	52.6	60.7	31.7	50.4		35.7	28	39.7	34.3
U-LC-1040B-P-4W	44.6	62.9	72.6	37.9	60.3		42.8	33.5	47.5	41.1
U-LC-1040B-P-7W	48.9	68.9	79.6	41.5	66.1		46.9	36.7	52	45
U-LC-1040C	61.2	85.7	98.7	52.1	82.1		58.7	46.2	65	56.4
U-LC-1040C-P-2W	40.8	57.1	65.8	34.7	54.8		39.2	30.8	43.3	37.6
U-LC-1040C-P-4W	48.9	68.5	78.9	41.7	65.7		47	36.9	52	45.1
U-LC-1040C-P-7W	53.6	75.1	86.5	45.7	72		51.5	40.5	57	49.5
U-LC-1040D	69.2	96.1	110.4	59.2	92.2		66.6	52.6	73.5	64
U-LC-1040D-P-2W	46.1	64.1	73.6	39.5	61.5		44.4	35.1	49	42.6
U-LC-1040D-P-4W	55.3	76.9	88.3	47.3	73.7		53.2	42.1	58.7	51.1
U-LC-1040D-P-7W	60.6	84.2	96.7	51.9	80.8		58.3	46.1	64.4	56

STD-201RS Table 3b - SI Units - Cooling Towers (CT)

Condition Reference #	41	42	43	44	45		46	47	48	49
Wet Bulb °C	32.2	32.2	32.2	32.2	32.2		21	25.56	27	28
Range °C	6	6	6	8	8		5	5.56	5	5
Approach °C	4	6	7	4	7		6	3.89	5	4
Inlet Water Temperature °C	42.2	44.2	45.2	44.2	47.2		32	35.00	37	37
Outlet Water Temperature °C	36.2	38.2	39.2	36.2	39.2		27	29.44	32	32
	L/S									
U-LC-1040E	76	104.9	120.2	65.2	100.7		73.2	58.1	80.6	70.4
U-LC-1040E-P-2W	50.6	70	80.2	43.5	67.2		48.8	38.8	53.7	46.9
U-LC-1040E-P-4W	60.9	84.1	96.3	52.2	80.7		58.7	46.6	64.6	56.4
U-LC-1040E-P-7W	66.6	92	105.4	57.1	88.3		64.2	51	70.6	61.7
U-LC-1045A	65.6	93.7	108.7	55.3	89.8		62.5	48.4	69.8	60
U-LC-1045A-P-2W	43.8	62.6	72.6	37	59.9		41.7	32.3	46.6	40.1
U-LC-1045A-P-4W	52.6	75.1	87.1	44.3	71.9		50.1	38.8	55.9	48.1
U-LC-1045A-P-7W	57.5	82.1	95.2	48.5	78.6		54.7	42.4	61.1	52.6
U-LC-1045B	70.3	100.9	117.1	59.1	96.6		66.8	51.5	74.8	64.2
U-LC-1045B-P-2W	46.9	67.2	78.1	39.4	64.4		44.5	34.4	49.8	42.8
U-LC-1045B-P-4W	56.2	80.7	93.7	47.3	77.3		53.4	41.2	59.8	51.4
U-LC-1045B-P-7W	61.5	88.3	102.5	51.8	84.6		58.5	45.1	65.4	56.2
U-LC-1045C	78.1	112.3	130.5	65.5	107.6		74	57	83	71.2
U-LC-1045C-P-2W	52	74.8	86.9	43.6	71.6		49.3	37.9	55.3	47.4
U-LC-1045C-P-4W	62.4	89.7	104.3	52.4	85.9		59.1	45.5	66.3	56.9
U-LC-1045C-P-7W	68.3	98.2	114.2	57.3	94.1		64.8	49.8	72.6	62.2
U-LC-1045D	82.3	119.6	139.5	68.8	114.4		78.1	59.6	87.8	74.9
U-LC-1045D-P-2W	54.9	79.7	93	45.8	76.2		52.1	39.7	58.5	50
U-LC-1045D-P-4W	65.9	95.7	111.6	55	91.5		62.5	47.7	70.2	59.9
U-LC-1045D-P-7W	72	104.5	121.9	60.1	100		68.3	52.1	76.7	65.5
U-LC-1045E	86.8	123.6	143.2	73.3	118.2		83.2	64.5	92.5	79.7
U-LC-1045E-P-2W	57.9	82.5	95.6	48.9	78.9		55.5	43.1	61.8	53.2
U-LC-1045E-P-4W	69.5	99	114.7	58.7	94.7		66.6	51.7	74.1	63.9
U-LC-1045E-P-7W	76	108.2	125.4	64.2	103.6		72.9	56.5	81	69.8
U-LC-1050A	76.5	105.1	120.1	65.9	101.1		73	58.4	80.6	70.6
U-LC-1050A-P-2W	51	70.1	80.1	43.9	67.4		48.7	38.9	53.7	47
U-LC-1050A-P-4W	61.3	84.2	96.2	52.8	81		58.5	46.8	64.6	56.5
U-LC-1050A-P-7W	67	92.1	105.3	57.8	88.6		64	51.1	70.6	61.8
U-LC-1050B	81.6	112.6	128.9	70.2	108.3		77.7	62	86	75.2
U-LC-1050B-P-2W	54.5	75.1	86	46.9	72.3		51.9	41.4	57.4	50.2
U-LC-1050B-P-4W	65.4	90.2	103.2	56.2	86.8		62.3	49.7	68.9	60.2
U-LC-1050B-P-7W	71.3	98.4	112.6	61.4	94.7		68	54.2	75.2	65.7
U-LC-1050C	91.9	127.2	145.8	78.9	122.4		87.4	69.5	96.9	84.5
U-LC-1050C-P-2W	61.3	84.8	97.2	52.6	81.6		58.2	46.3	64.6	56.3
U-LC-1050C-P-4W	73.6	101.9	116.8	63.2	98.1		70	55.7	77.6	67.7
U-LC-1050C-P-7W	80.4	111.3	127.6	69	107.1		76.4	60.8	84.7	73.9
U-LC-1050D	100	138.7	159.2	85.7	133.5		94.8	75.3	105.3	91.8
U-LC-1050D-P-2W	66.6	92.5	106.1	57.1	89		63.2	50.2	70.2	61.2
U-LC-1050D-P-4W	80	111	127.4	68.6	106.9		75.9	60.3	84.3	73.5
U-LC-1050D-P-7W	87.4	121.3	139.2	75	116.8		82.9	65.8	92.1	80.3
U-LC-1050E	106.2	147.7	169.6	90.9	142.2		100.5	79.7	111.8	97.3
U-LC-1050E-P-2W	70.8	98.5	113.1	60.6	94.8		67	53.1	74.5	64.9
U-LC-1050E-P-4W	85	118.2	135.7	72.8	113.8		80.5	63.8	89.5	77.9
U-LC-1050E-P-7W	93	129.4	148.6	79.7	124.5		88.1	69.8	97.9	85.3
U-LC-1060A	78.1	103.4	116.5	68.6	99.8		75.8	62.2	82.3	73.2
U-LC-1060A-P-2W	52	68.9	77.6	45.7	66.4		50.5	41.4	54.8	48.7
U-LC-1060A-P-4W	62.5	82.7	93.2	54.9	79.8		60.7	49.7	65.9	58.6
U-LC-1060A-P-7W	68.5	90.6	102.1	60.1	87.4		66.4	54.5	72.2	64.1
U-LC-1060B	83.8	111.8	126.3	73.3	107.7		81.2	66.2	88.4	78.4
U-LC-1060B-P-2W	55.9	74.5	84.2	48.9	71.8		54.1	44.1	58.9	52.2
U-LC-1060B-P-4W	67	89.3	100.9	58.6	86.1		64.9	52.9	70.6	62.6
U-LC-1060B-P-7W	73.4	97.8	110.5	64.2	94.3		71.1	57.9	77.4	68.6
U-LC-1060C	95.6	128.5	145.7	83.3	123.8		92.5	75	101	89.2
U-LC-1060C-P-2W	63.8	85.8	97.3	55.6	82.6		61.7	50	67.4	59.5
U-LC-1060C-P-4W	76.5	102.9	116.7	66.6	99.1		74	60	80.8	71.4
U-LC-1060C-P-7W	83.7	112.5	127.6	72.9	108.4		81	65.6	88.4	78.1
U-LC-1060D	106.7	142.9	161.8	93.1	137.7		103.4	84	112.7	99.7
U-LC-1060D-P-2W	71.2	95.4	108	62.1	91.9		69	56.1	75.2	66.5
U-LC-1060D-P-4W	85.4	114.4	129.5	74.5	110.2		82.7	67.2	90.1	79.7
U-LC-1060D-P-7W	93.4	125.1	141.6	81.5	120.5		90.5	73.5	98.6	87.2
U-LC-1060E	115.8	154.5	174.6	101.3	148.9		112.3	91.5	122.2	108.3
U-LC-1060E-P-2W	77.2	103	116.4	67.5	99.3		74.8	61	81.5	72.2
U-LC-1060E-P-4W	92.6	123.6	139.6	81	119.1		89.8	73.2	97.7	86.6
U-LC-1060E-P-7W	101.5	135.3	153	88.7	130.4		98.3	80.1	107	94.8
U-LC-1070A	88.1	116.8	131.7	77.2	112.5		86	70.2	93.2	82.7
U-LC-1070A-P-2W	58.8	78	87.9	51.5	75.1		57.4	46.9	62.2	55.2
U-LC-1070A-P-4W	70.5	93.4	105.3	61.7	90		68.8	56.2	74.5	66.2
U-LC-1070A-P-7W	77	102.1	115.1	67.5	98.4		75.2	61.4	81.5	72.3
U-LC-1070B	100.1	134.8	152.9	87.1	129.7		97.2	78.6	106	93.5
U-LC-1070B-P-2W	66.8	89.9	101.9	58.1	86.5		64.8	52.4	70.6	62.3
U-LC-1070B-P-4W	80.1	107.8	122.3	69.6	103.7		77.7	62.9	84.7	74.8
U-LC-1070B-P-7W	87.7	118	133.8	76.2	113.5		85.1	68.8	92.7	81.8
U-LC-1070C	113	154.6	176.4	97.5	148.6		108.9	87.2	119.6	104.9
U-LC-1070C-P-2W	75.3	103	117.6	65	99		72.6	58.1	79.7	69.9

STD-201RS Table 3b - SI Units - Cooling Towers (CT)

Condition Reference #	41	42	43	44	45		46	47	48	49
Wet Bulb °C	32.2	32.2	32.2	32.2	32.2		21	25.56	27	28
Range °C	6	6	6	8	8		5	5.56	5	5
Approach °C	4	6	7	4	7		6	3.89	5	4
Inlet Water Temperature °C	42.2	44.2	45.2	44.2	47.2		32	35.00	37	37
Outlet Water Temperature °C	36.2	38.2	39.2	36.2	39.2		27	29.44	32	32
	L/S									
U-LC-1070C-P-4W	90.5	123.8	141.3	78.1	119		87.2	69.8	95.8	84
U-LC-1070C-P-7W	98.9	135.2	154.4	85.3	130		95.3	76.3	104.7	91.8
U-LC-1070D	115.1	155.8	177.1	99.9	149.9		111.4	89.8	121.8	107.2
U-LC-1070D-P-2W	76.8	103.9	118.2	66.6	100		74.3	59.9	81.3	71.6
U-LC-1070D-P-4W	92.2	124.7	141.8	80	120		89.2	71.9	97.5	85.9
U-LC-1070D-P-7W	100.8	136.4	155	87.4	131.2		97.5	78.6	106.6	93.9
U-LC-1070E	121.7	163	184.6	106.1	157		118.3	96	128.7	113.8
U-LC-1070E-P-2W	81.1	108.7	123.1	70.7	104.6		78.8	64	85.8	75.9
U-LC-1070E-P-4W	97.3	130.4	147.6	84.8	125.5		94.6	76.7	102.9	91
U-LC-1070E-P-7W	106.5	142.7	161.6	92.9	137.4		103.5	84	112.7	99.6
U-LC-1080A	105.5	142	161	91.8	136.6		102.3	82.8	111.6	98.5
U-LC-1080A-P-2W	70.5	94.8	107.6	61.3	91.3		68.3	55.3	74.5	65.8
U-LC-1080A-P-4W	84.4	113.6	128.8	73.4	109.3		81.9	66.2	89.3	78.8
U-LC-1080A-P-7W	92.4	124.3	141	80.4	119.7		89.6	72.5	97.7	86.3
U-LC-1080B	115.1	157.7	180.2	99.2	151.5		111.1	88.8	122	106.9
U-LC-1080B-P-2W	76.9	105.3	120.3	66.3	101.2		74.2	59.3	81.5	71.4
U-LC-1080B-P-4W	92	126.1	144	79.3	121.1		88.8	71	97.5	85.4
U-LC-1080B-P-7W	100.8	138.1	157.8	86.9	132.7		97.3	77.7	106.8	93.6
U-LC-1080C	127.4	172.5	196.1	110.6	166		123.2	99.4	134.8	118.7
U-LC-1080C-P-2W	85	115.1	130.8	73.8	110.7		82.2	66.3	89.9	79.2
U-LC-1080C-P-4W	102	138.1	157	88.5	132.9		98.7	79.6	107.9	95
U-LC-1080C-P-7W	111.5	150.9	171.5	96.7	145.2		107.8	86.9	117.9	103.8
U-LC-1080D	133.8	179.5	203.4	116.6	172.8		129.9	105.3	141.5	125
U-LC-1080D-P-2W	89.3	119.9	135.8	77.8	115.4		86.7	70.3	94.5	83.5
U-LC-1080D-P-4W	107	143.5	162.6	93.2	138.2		103.8	84.2	113.1	100
U-LC-1080D-P-7W	117	157	177.9	101.9	151.1		113.6	92.1	123.7	109.3
U-LC-1080E	146.2	199.3	227.3	126.4	191.7		141.1	113.2	154.7	135.8
U-LC-1080E-P-2W	97.5	132.9	151.5	84.2	127.8		94.1	75.4	103.1	90.5
U-LC-1080E-P-4W	116.9	159.4	181.8	101.1	153.3		112.8	90.5	123.7	108.6
U-LC-1080E-P-7W	128	174.5	198.9	110.6	167.8		123.5	99.1	135.4	118.9
U-LC-1090A	131.6	181.6	207.9	113.2	174.7		125.6	100.1	138.9	121.4
U-LC-1090A-P-2W	87.9	121.3	138.8	75.6	116.7		83.9	66.9	92.7	81
U-LC-1090A-P-4W	105.4	145.3	166.4	90.6	139.8		100.5	80.1	111.2	97.1
U-LC-1090A-P-7W	115.2	158.9	182	99.1	152.9		109.9	87.6	121.6	106.2
U-LC-1090B	138.2	192.6	221.3	118.2	185.2		131.3	103.8	145.8	126.9
U-LC-1090B-P-2W	92.2	128.5	147.6	78.9	123.6		87.6	69.3	97.3	84.6
U-LC-1090B-P-4W	110.5	154	176.9	94.5	148		104.9	83	116.6	101.4
U-LC-1090B-P-7W	120.9	168.6	193.7	103.4	162.1		114.9	90.9	127.6	111
U-LC-1090C	147.7	201.1	229.2	127.8	193.5		142.1	114.2	156	137.1
U-LC-1090C-P-2W	98.4	134.1	152.8	85.2	129		94.8	76.1	104	91.4
U-LC-1090C-P-4W	118.1	160.9	183.4	102.2	154.8		113.7	91.4	124.8	109.6
U-LC-1090C-P-7W	129.2	176	200.5	111.8	169.3		124.4	99.9	136.5	119.9
U-LC-1090D	164.2	223.1	254.1	142.3	214.9		157.6	127	173.1	152.3
U-LC-1090D-P-2W	109.5	148.9	169.5	94.9	143.3		105.1	84.7	115.5	101.6
U-LC-1090D-P-4W	131.3	178.5	203.2	113.8	171.8		126.1	101.6	138.5	121.8
U-LC-1090D-P-7W	143.6	195.2	222.3	124.5	188		137.9	111.1	151.5	133.2
U-LC-1090E	173.8	239	273.3	149.7	229.8		166.4	132.8	183.5	160.6
U-LC-1090E-P-2W	115.9	159.4	182.3	99.8	153.3		111	88.6	122.4	107.1
U-LC-1090E-P-4W	139.1	191.3	218.8	119.8	184		133.2	106.3	146.9	128.5
U-LC-1090E-P-7W	152	209.1	239.1	130.9	201.1		145.6	116.2	160.6	140.5
U-LC-1100A	138.9	193.9	222.9	118.7	186.4		132	104.3	146.7	127.5
U-LC-1100A-P-2W	92.8	129.5	148.8	79.3	124.5		88.1	69.6	97.9	85.2
U-LC-1100A-P-4W	111.2	155.3	178.5	95.1	149.3		105.7	83.5	117.4	102.1
U-LC-1100A-P-7W	121.5	169.6	195	103.8	163		115.4	91.2	128.3	111.5
U-LC-1100B	143.5	198.1	226.8	123.3	190.4		137.4	109.3	151.7	132.5
U-LC-1100B-P-2W	95.7	132.1	151.3	82.3	127		91.7	72.9	101.2	88.4
U-LC-1100B-P-4W	114.8	158.5	181.5	98.6	152.3		109.9	87.5	121.3	106
U-LC-1100B-P-7W	125.7	173.4	198.6	108	166.7		120.3	95.8	132.8	116
U-LC-1100C	153.4	208.9	238	132.7	200.9		147.7	118.7	162.1	142.4
U-LC-1100C-P-2W	102.3	139.3	158.8	88.5	134		98.5	79.2	108.1	95
U-LC-1100C-P-4W	122.6	167	190.3	106.1	160.6		118.1	94.9	129.6	113.8
U-LC-1100C-P-7W	134.3	182.9	208.4	116.2	176		129.3	103.9	141.9	124.7
U-LC-1100D	174.7	240.4	275	150.4	231.2		167.1	133.3	184.4	161.3
U-LC-1100D-P-2W	116.6	160.5	183.6	100.4	154.3		111.5	89	123.1	107.7
U-LC-1100D-P-4W	139.8	192.4	220.1	120.3	185		133.7	106.7	147.6	129.1
U-LC-1100D-P-7W	152.9	210.5	240.8	131.6	202.4		146.3	116.7	161.4	141.2
U-LC-1100E	187.1	258	295.3	160.9	248.1		179	142.6	197.6	172.7
U-LC-1100E-P-2W	124.7	172	196.9	107.3	165.4		119.3	95.1	131.7	115.1
U-LC-1100E-P-4W	149.8	206.5	236.3	128.8	198.6		143.2	114.2	158.2	138.3
U-LC-1100E-P-7W	163.7	225.7	258.4	140.8	217		156.6	124.8	172.9	151.1